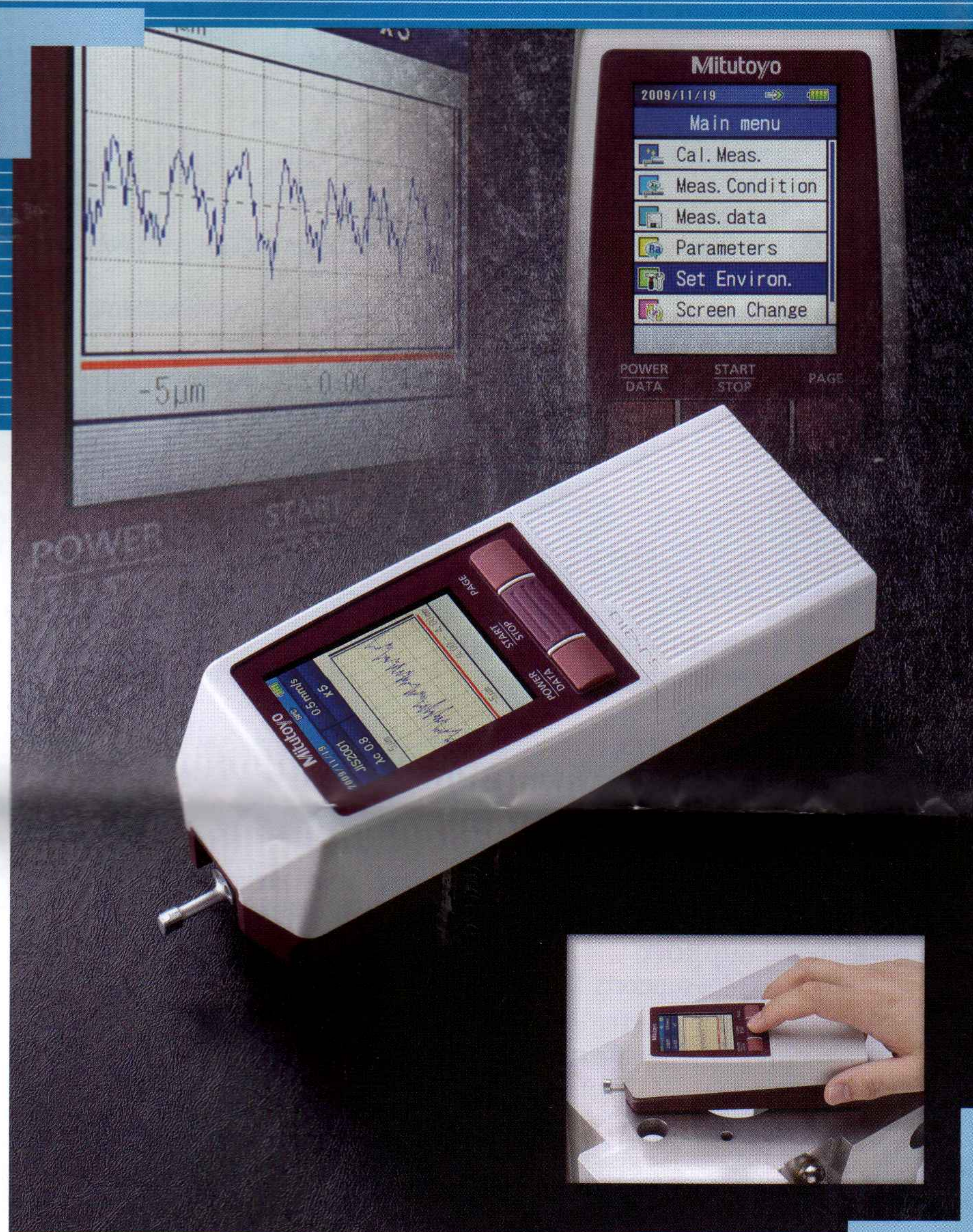


# Portable Surface Roughness Tester SURFTEST SJ-210 Series

Catalog No.E4388-178



This is it! A small, lightweight, and extremely easy to use surface roughness measurement instrument that lets you view surface roughness waveforms right there on the color LCD screen.

- Registered design in Japan, China, and the European Union.
- Design registration pending in the United States of America.

**Mitutoyo**

The SurfTest SJ-210 is a user-friendly surface roughness measurement instrument designed as a handheld tool that can be carried with you and used on-site.



### Easy to use

#### 2.4-inch color graphic LCD with backlight

The color LCD provides excellent readability and an intuitive display that's easy to negotiate.

The LCD also includes a backlight for improved visibility in dark environments.

#### Simple key layout

The SurfTest SJ-210 can be operated easily using the keys on the front of the unit and under the sliding cover.

### Highly functional

#### Advanced data storage capabilities

Up to 10 measurement conditions and one measured profile can be stored in the internal memory.

#### Optional memory card

An optional memory card can be used as an extended memory to store large quantities of measured profiles and conditions.

#### Password protection

Access to each feature can be password-protected, which prevents unintended operations and allows you to protect your settings.

#### Multilingual support

The display interface supports 16 languages, which can be freely switched.

#### Stylus alarm (patent pending in Japan)

An alarm warns you when the cumulative measurement distance exceeds a preset limit.

### Extensive analysis and display features

#### Complies with many industry standards

The SurfTest SJ-210 complies with the following standards: JIS (JIS-B0601-2001, JIS-B0601-1994, JIS B0601-1982), VDA, ISO-1997, and ANSI.

#### Displays assessed profiles and graphical data

In addition to calculation results, the SurfTest SJ-210 can display sectional calculation results and assessed profiles, load curves, and amplitude distribution curves.



### Color graphic LCD

Intuitive display that's clear, sharp, and legible.

### Large, 2.4-inch LCD

The large LCD provides excellent readability.

### Backlight

The backlight improves visibility in dark environments.

### Operation keys

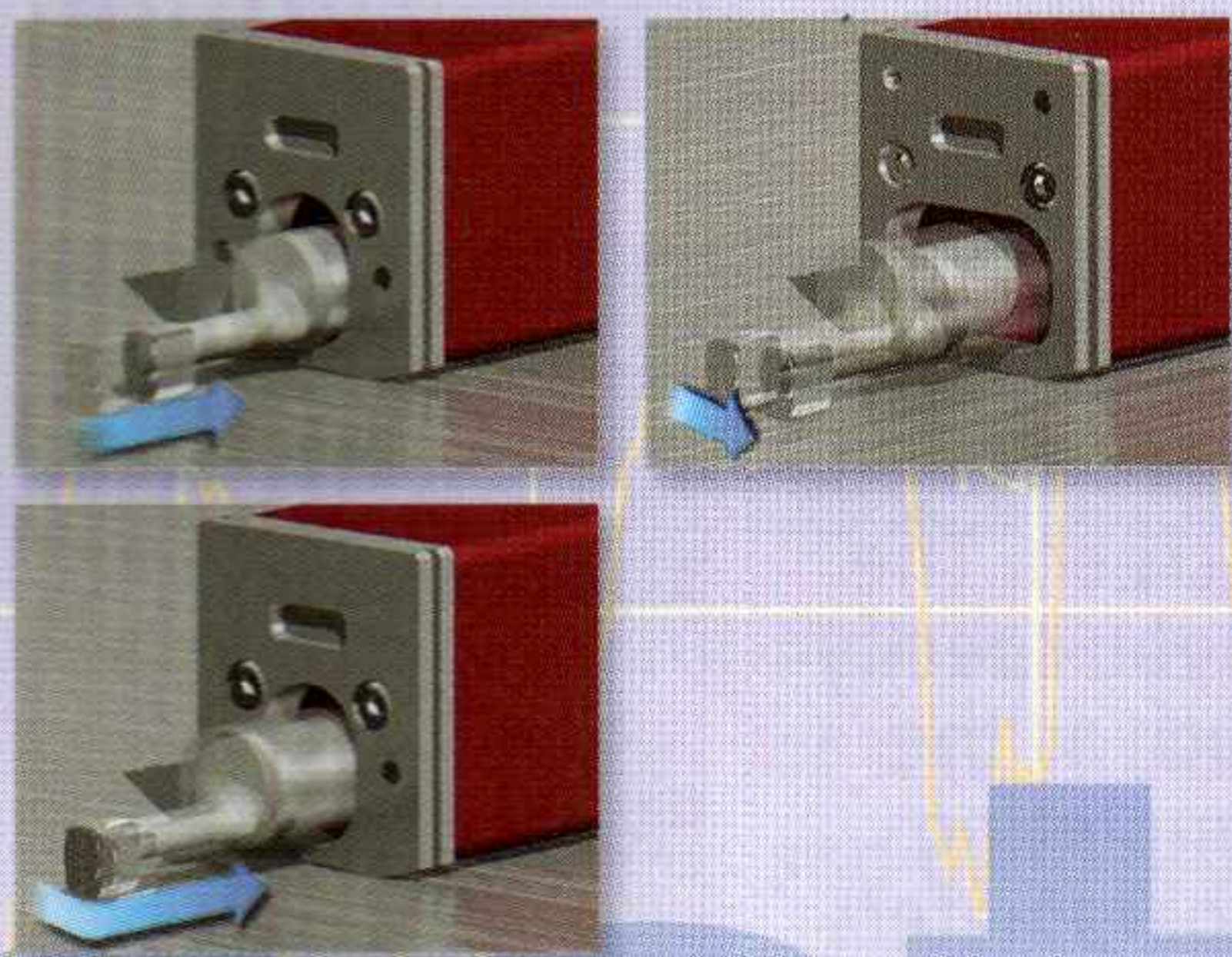
- The keys on the front of the unit and under the sliding cover are well-labeled and easy to use.
- The user-friendly screen layout and arrow keys provide intuitive operability.
- Displayed settings can be changed easily by using the left and right arrow keys. (Patent pending in Japan.)
- Infrequently used keys are hidden under the sliding cover to prevent unintended operations.

### Drive unit

The drive unit can be separated from the display unit by using a cable, allowing more flexible measurement. The driver can be separated and reattached in one simple step.



There are many different kinds of drivers and detectors available.



### Battery

The battery charges in one quarter the time of previous Mitutoyo products.



### Applicable standards

In addition to JIS and ISO, the SurfTest SJ-210 also complies with ANSI and VDA standards.

Standard
JIS1982
JIS1994
JIS2001
ISO1997
ANSI
VDA

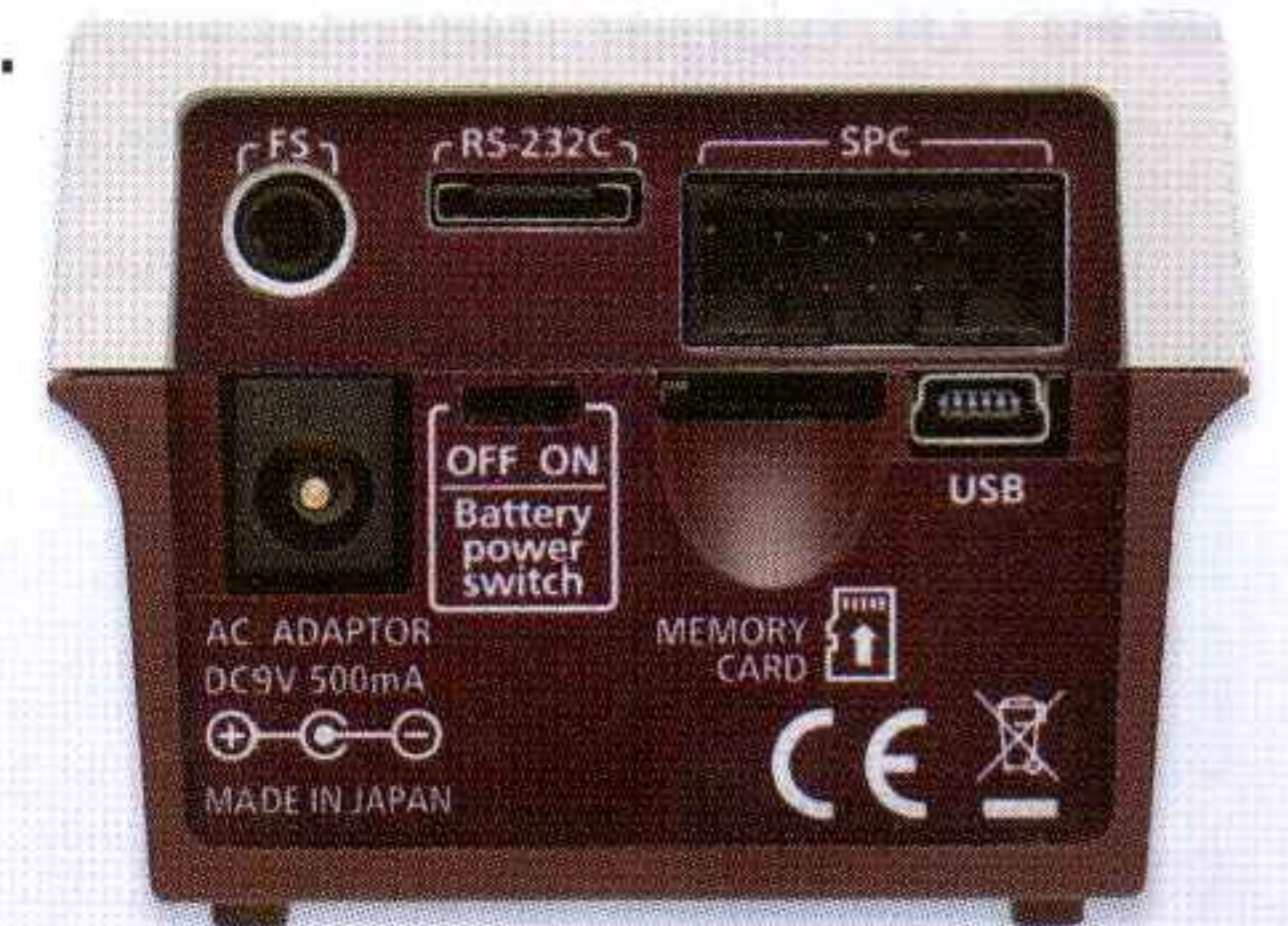
### Multilingual support

The display interface supports 16 languages.

SelectLanguage
日本語
English
Deutsch
Français
Italiano
Español

### High-speed USB communication

Data can be transferred to and from a computer via the high-speed USB interface.



### Memory card support

The memory card slot lets you store large amounts of data onto a memory card.



# SurfTest SJ-210

# Many features in a compact body

## Extensive display features that assist measurement

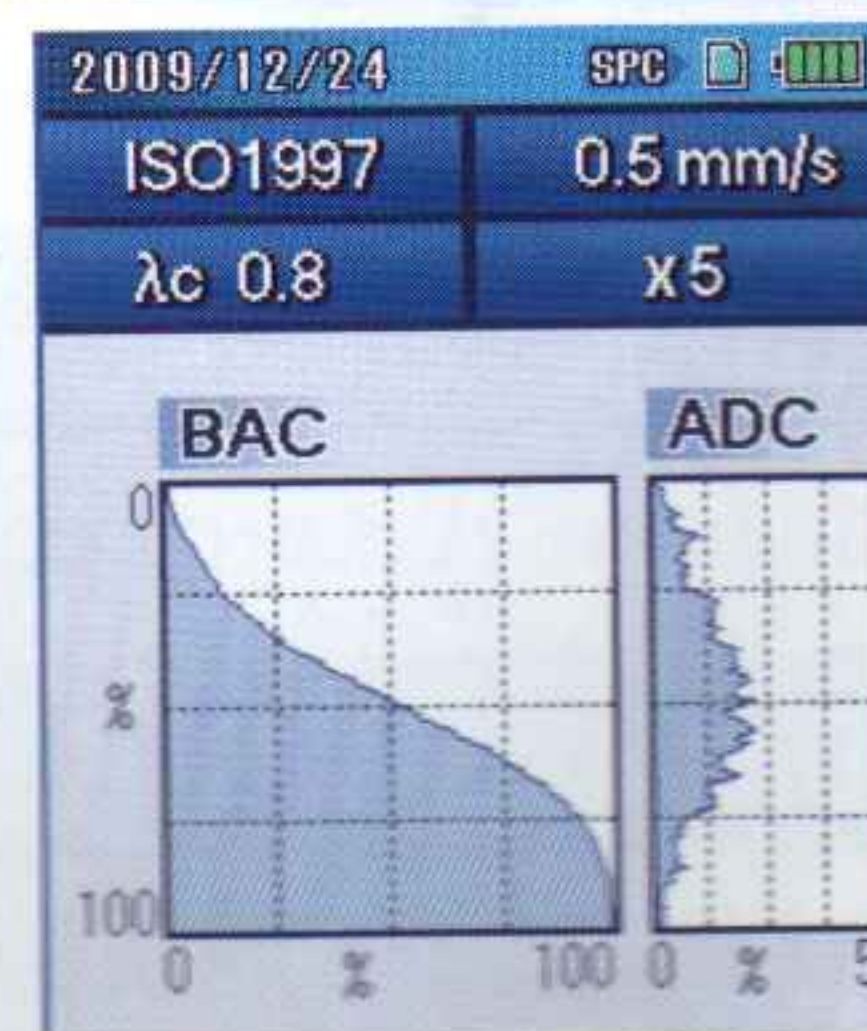
- The highly visible 2.4-inch color graphic LCD with backlight lets you see the screen easily even in dark environments.



- Pass/fail results are displayed in color.



- Assessed profiles, load curves, and amplitude distribution curves can be displayed in addition to calculation results. Assessed profiles can also be zoomed up and down.



- The display mode can be freely switched between portrait and landscape.
- Calculation results are displayed in large characters.



## Advanced data storage capabilities

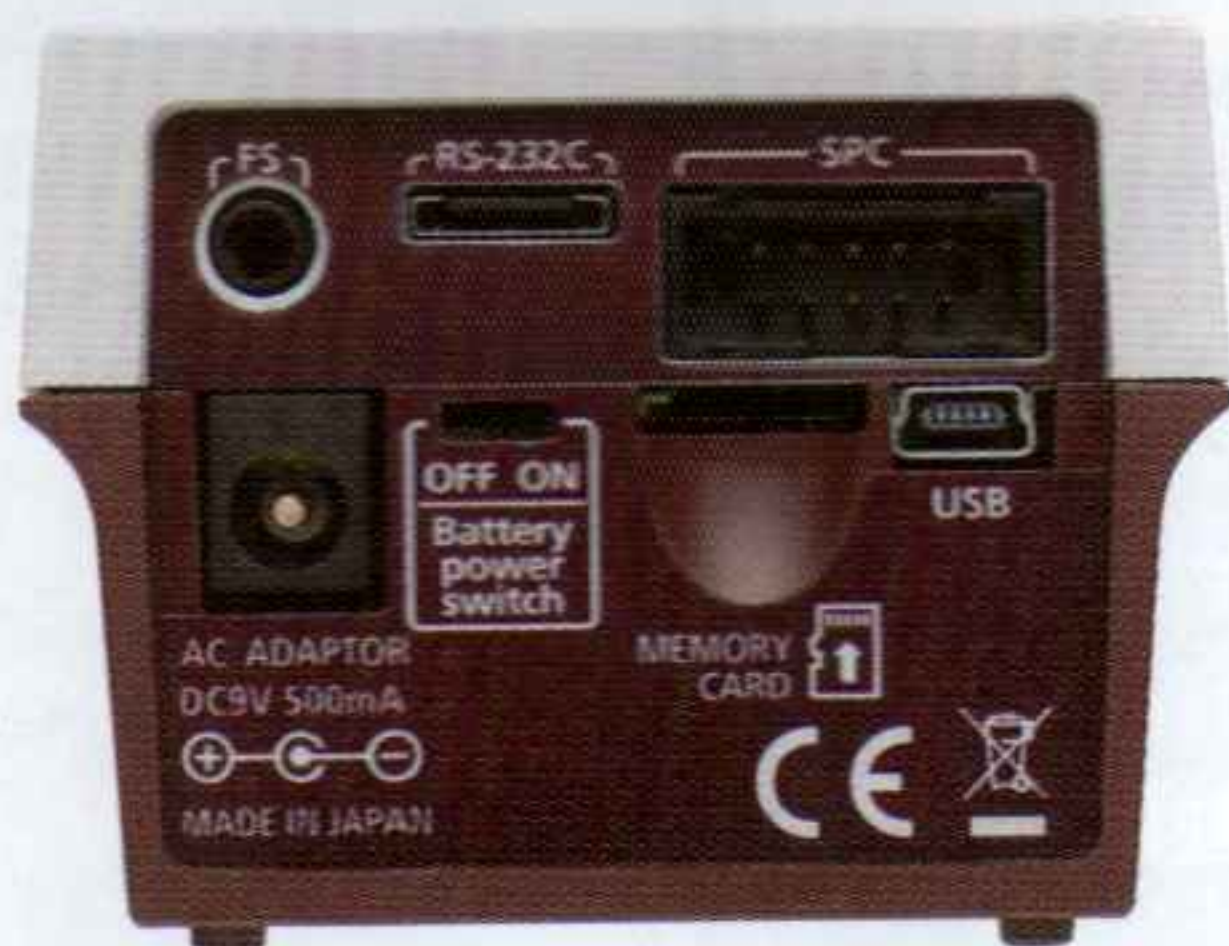
- Up to 10 measurement conditions can be stored in the internal memory. Conditions can be quickly read according to the workpiece.
- An optional memory card can be used as an extended memory to store large quantities of measured profiles and conditions. \*See page 10 for details about the memory card.

### Storage Capacity

Data type	Internal memory	Memory Card (option)
Measured profiles	1	10000
Calculation result	10	
Measurement condition	10	500



- Many interface options:
  - A USB interface is equipped as standard.
  - The Surftest SJ-210 also provides an RS-232C output, Digimatic output, printer output, and footswitch input.



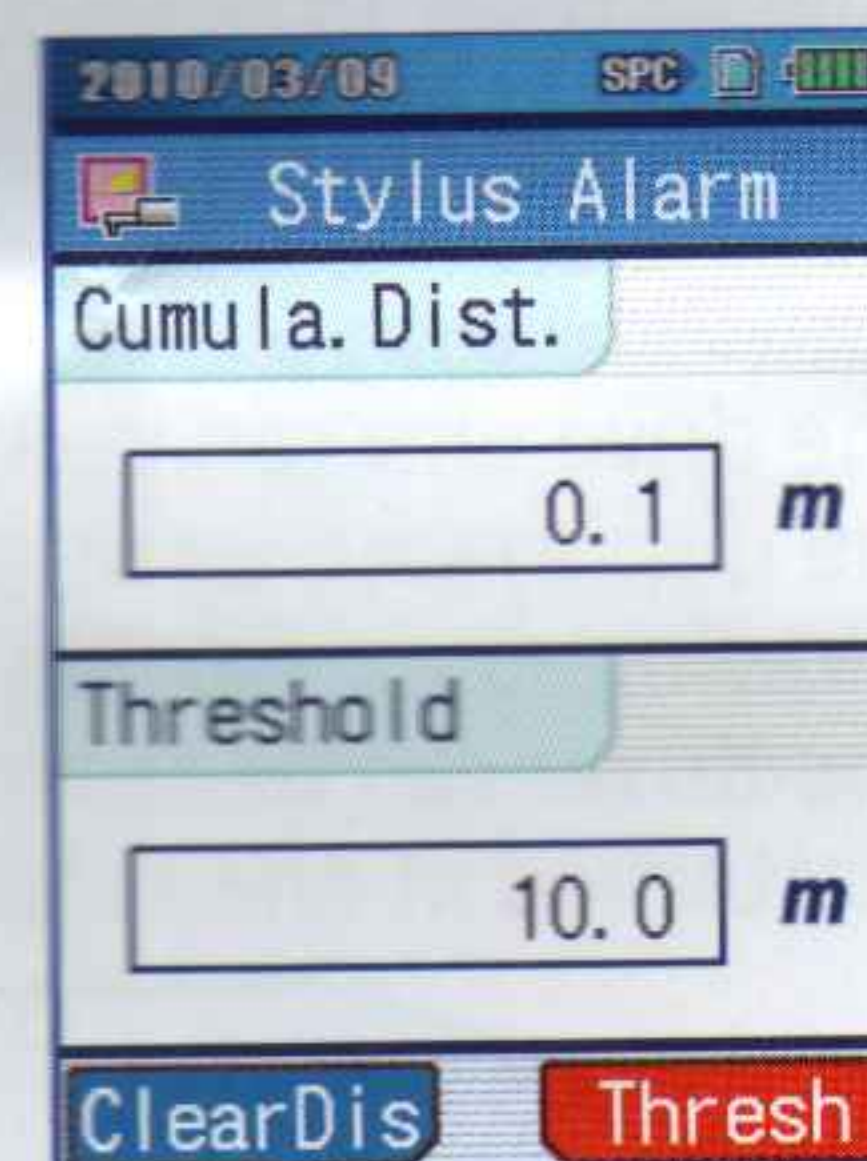
## Advanced features

- The multilingual display interface supports 16 languages, which can be freely switched.
- Access to features can be password-protected.
- A quick-charge, long-life battery is provided.

**Mitutoyo**

## Stylus alarm function

- An alarm warns you when the cumulative measurement distance exceeds a preset limit. This feature can be used to prevent problems that would be caused by worn out styli. Any value can be specified as the limit. (Patent pending in Japan)



## Easy setting

- Displayed settings can be easily changed by pressing the left and right arrow keys under the sliding cover. For example, these keys can be used to switch the cut-off value ( $\lambda_c$ ) and the number of sampling lengths (N) on the measurement screen. (Patent pending in Japan)



(Example of the measurement screen)

## Setting parameters and recalculating results

- The required parameters can be selected from the screen. The sub-menu also lets you specify detailed settings such as the tolerance. After completing measurement, the parameters can be changed and calculation can be executed again\* using the new parameters.



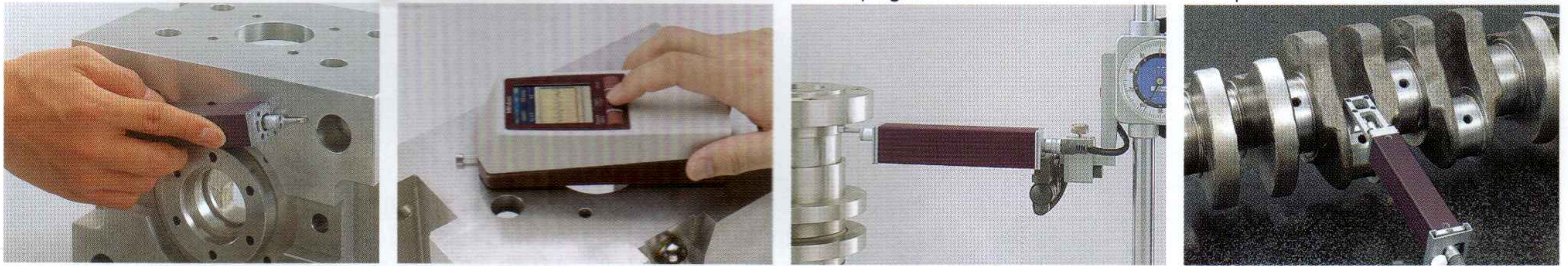
\*May not be possible, depending on the measurement conditions.

# Detector / Drive Units

## Battery-powered portability scores when making surface roughness measurements on the shop floor.

Capable of performing measurements in any orientation, including vertical and upside-down. Optional accessories, such as a height gage adapter, allow measurements to be performed efficiently in various situations and setups.

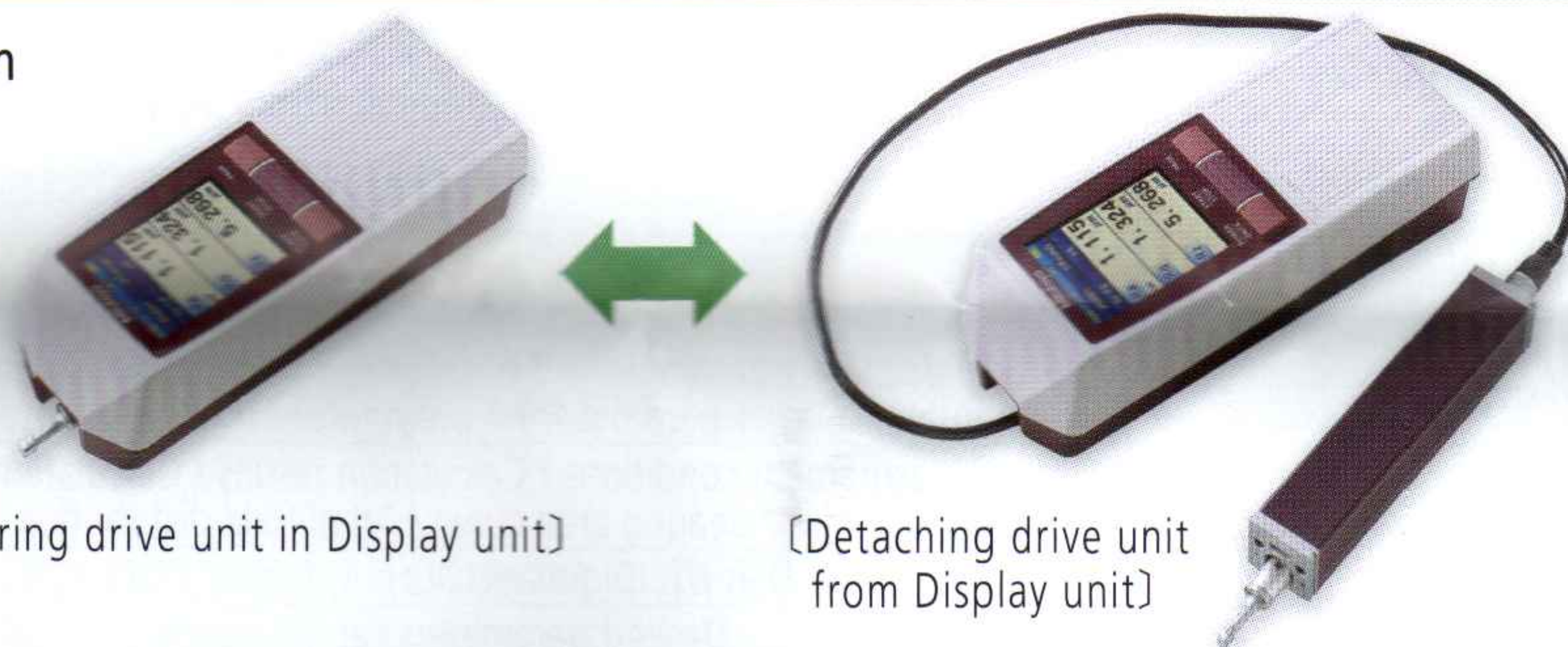
\*Refer to pages 8 to 11 for details of the optional accessories available.



## A wide variation in system setup is possible with the detector + drive unit + display unit combination.

### Highly functional detectors and drive units

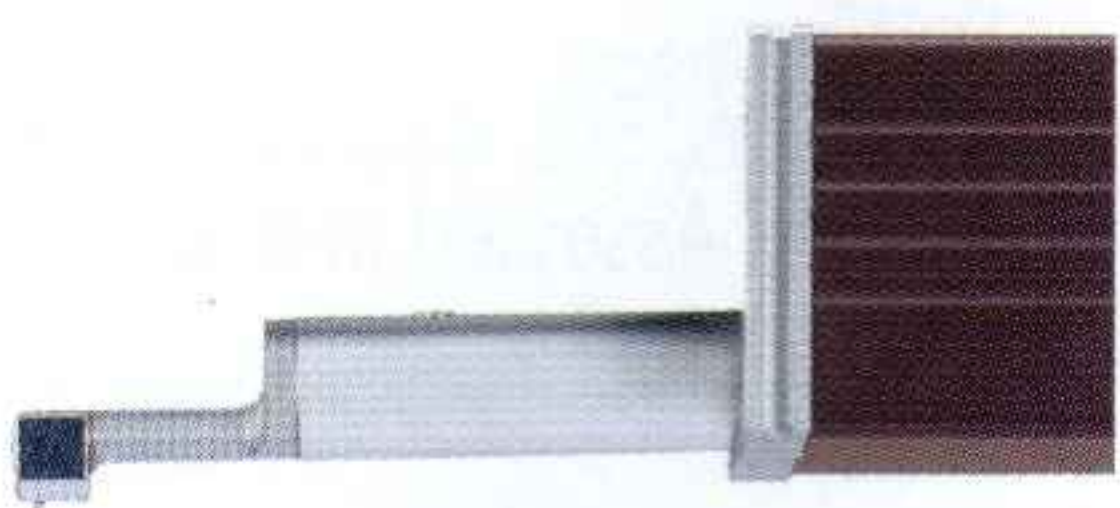
The driver can be separated from the display unit and reattached in one easy step.



[Storing drive unit in Display unit]

[Detaching drive unit from Display unit]

### Detector supplied as standard



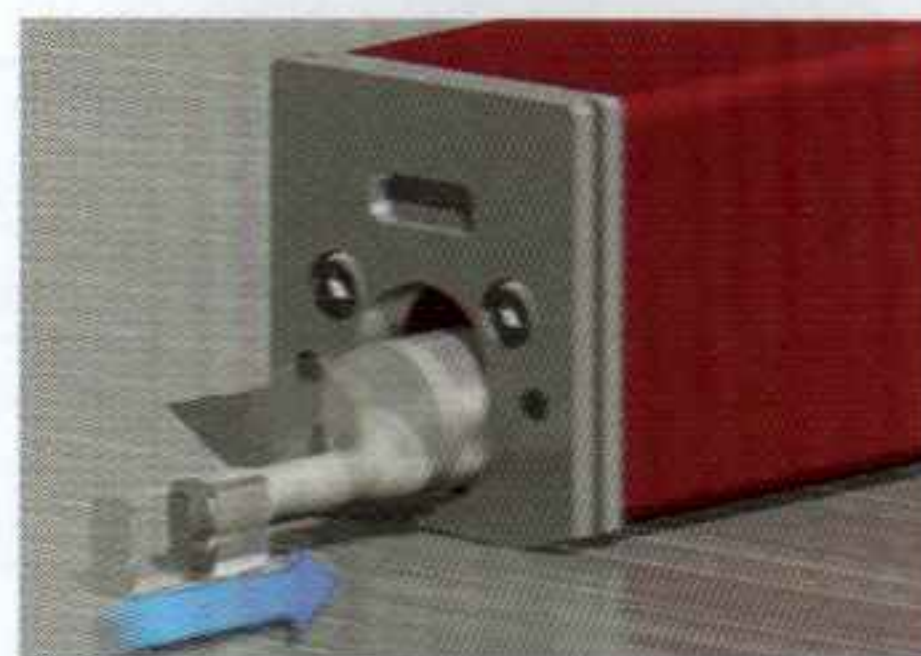
Selectable from the following two items.

- Measuring force: 0.75mN  
Stylus profile: Tip radius 2 $\mu$ m  
Tip angle 60°
- Measuring force: 4mN  
Stylus profile: Tip radius 5 $\mu$ m  
Tip angle 90°

### Drive units

#### Standard drive unit

- Popular standard drive unit



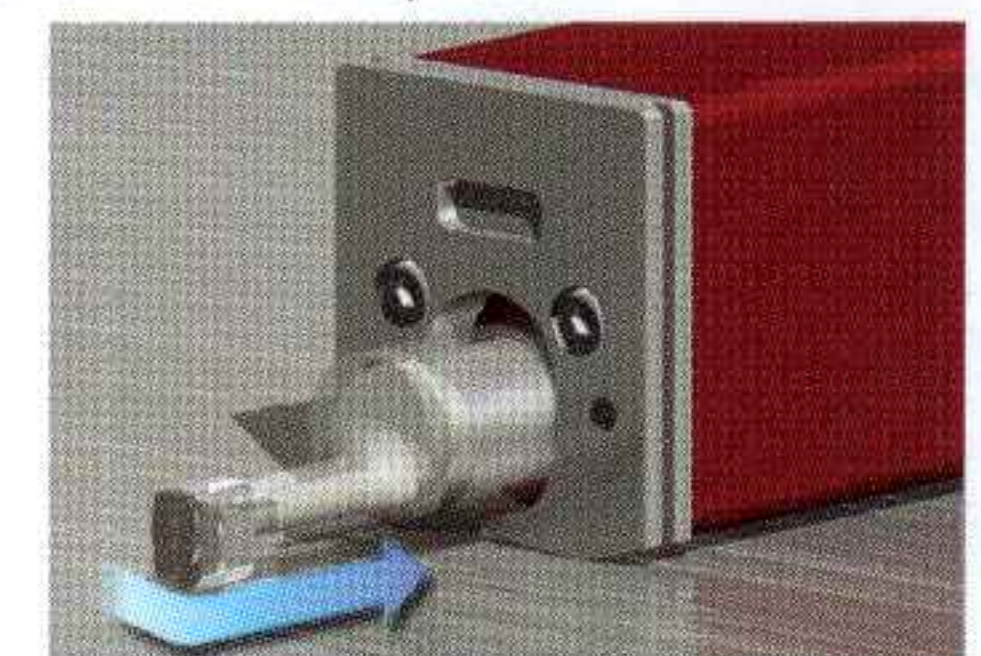
#### Transverse tracing drive unit

- Best suited for measurement of narrow, shrouded workpiece features such as crankshaft, EDM parts, etc.  
(Patent Registered in Japan)



#### Retractable drive unit

- The detector is in the retracted position at rest so it is immune from damage when inserted into a feature whose profile cannot be easily seen, such as a blind hole, etc.



### Optional detectors

A wide range of optional detectors is available, including detectors for small holes, extra small holes, gear tooth surfaces, and deep grooves.

\*See page 8 for details about the Detectors.

### Carrying case

A convenient carrying case is supplied as standard for protecting the instrument in the field.



# Specifications

Model No.	(Type of detector)	Standard drive unit type		Retractable drive unit type		Transverse tracing drive unit type	
		SJ-210 (0.75mN type)	SJ-210 (4mN type)	SJ-210 (0.75mN type)	SJ-210 (4mN type)	SJ-210 (0.75mN type)	SJ-210 (4mN type)
Order No.	mm	<b>178-560-01</b>	<b>178-560-02</b>	<b>178-562-01</b>	<b>178-562-02</b>	<b>178-564-01</b>	<b>178-564-02</b>
	inch/mm	<b>178-561-01</b>	<b>178-561-02</b>	<b>178-563-01</b>	<b>178-563-02</b>	<b>178-565-01</b>	<b>178-565-02</b>
Measuring range	X axis	17.5mm				5.6mm	
	Z axis (Detector)	360µm (-200µm to +160µm)					
	Range Range / Resolution	360µm / 0.02µm, 100µm / 0.006µm, 25µm / 0.002µm					
Measuring speed		Measuring: 0.25mm/s, 0.5mm/s, 0.75mm/s Returning: 1mm/s					
Measuring force / Stylus tip		0.75mN type: 0.75mN / 2µmR 60°, 4mN type: 4mN / 5µmR 90°					
Skid force		Less than 400mN					
Applicable standards		JIS '82 / JIS '94 / JIS '01 / ISO '97 / ANSI / VDA					
Assessed profiles		Primary profile / Roughness profile / DF profile / Roughness profile-Motif					
Evaluation parameters		Ra, Rc, Ry, Rz, Rq, Rt, Rmax, Rp, Rv, R3z, Rsk, Rku, Rc, RPC, Rsm, Rz1max, S, HSC, RzJIS, Rppi, RΔa, RΔq, Rlr, Rmr, Rmr(c), RΔc, Rk, Rpk, Rvk, Mr1, Mr2, A1, A2, Vo, Rpm, tp, Htp, R, Rx, AR, Possible Customize					
Analysis graphs		Bearing area curve / Amplitude distribution curve					
Filters		Gaussian, 2CR75, PC75					
Cut off length	$\lambda_c$	0.08, 0.25, 0.8, 2.5mm					
	$\lambda_s$	2.5, 8µm					
Sampling length		0.08, 0.25, 0.8, 2.5mm					
Number of Sampling lengths (×n)		×1, ×2, ×3, ×4, ×5, ×6, ×7, ×8, ×9, ×10, arbitrary length (0.3 to 16.0mm: 0.01mm interval)				×1, ×2, ×3, ×4, ×5, ×6, ×7, ×8, ×9, ×10, arbitrary length (0.3 to 5.6mm: 0.01mm interval)	
LCD dimensions		36.7 × 48.9 mm					
Display languages		Japanese, English, German, French, Italian, Spanish, Portuguese, Korean, Traditional Chinese, Simplified Chinese, Czech, Polish, Hungarian Turkish, Swedish, Dutch					
Calculation result display		Vertical display: 1 parameter / 3 parameter / trace to measurements Horizontal display: 1 parameter / 4 parameter / trace to measurements (Horizontal display is invertable)					
Printing function *1 (Dedicated printer is required separately.)		Measurement conditions / Calculation results / Calculation results for each sampling length / Assessed profile / Bearing area curve / Amplitude distribution curve / Environment setting information					
External I/O		USB I/F, Digimatic Output, Printer Output, RS-232C I/F, Foot SW I/F					
Customization		Desired parameters can be selected for calculation and display					
GO/NG judgment *2		By max value / 16% / Standard deviation					
Storage of measurement condition		Save the conditions at power OFF					
Functions	Storage	Internal memory: Measurement condition (10sets), Measured profile (1set) Memory card (Option): 500 measurement conditions, 10000 measured profiles, 500 display images Text file (Measurement conditions / Measured profile / Assessed profile / Bearing area curve / Amplitude distribution curve)					
	Calibration	Auto-calibration with the entry of numerical value / Average calibration with multiple measurement (Max.5 times) is available					
Power-saving function		Auto-sleep off function (10-600sec) *3					
Power supply		Two-way power supply: battery (rechargeable Ni-MH battery) and AC adapter *Charging time: about 4 hours (may vary due to ambient temperature) *Endurance: about 1000 measurements (differs slightly due to use conditions / environment)					
Size (W×D×H)	Display unit	52.1 × 65.8 × 160mm					
	Drive unit	115 × 23 × 26mm					
Mass		About 500g (Display unit + Drive unit + Standard detector)					
Standard accessories		<b>12BAA303</b> Connecting cable *4 <b>178-601</b> Roughness specimen <b>12BAK699</b> Carrying case <b>12BAK700</b> Calibration stage Protective sheets for display AC Adapter Operation manual Quick reference manual Warranty				<b>12BAA303</b> Connecting cable *4 <b>178-605</b> Roughness specimen <b>12AAE643</b> Point-contact adapter <b>12AAE644</b> V-type adapter <b>12BAK699</b> Carrying case <b>12BAK700</b> Calibration stage Protective sheets for display AC Adapter, Operation manual Quick reference manual, Warranty	

\*1: Order the SJ-210 printer (No.178-421, optional accessory) separately. See page 10 for details about the SJ-210 printer.

\*2: Standard deviation only can be selected in ANSI. 16% rule cannot be selected in VDA.

\*3: Auto-sleep function is invalid when AC adaptor is used.

\*4: For connecting the calculation display unit and drive unit.

To denote your AC line voltage add the following suffixes (e.g. 178-560-01A).

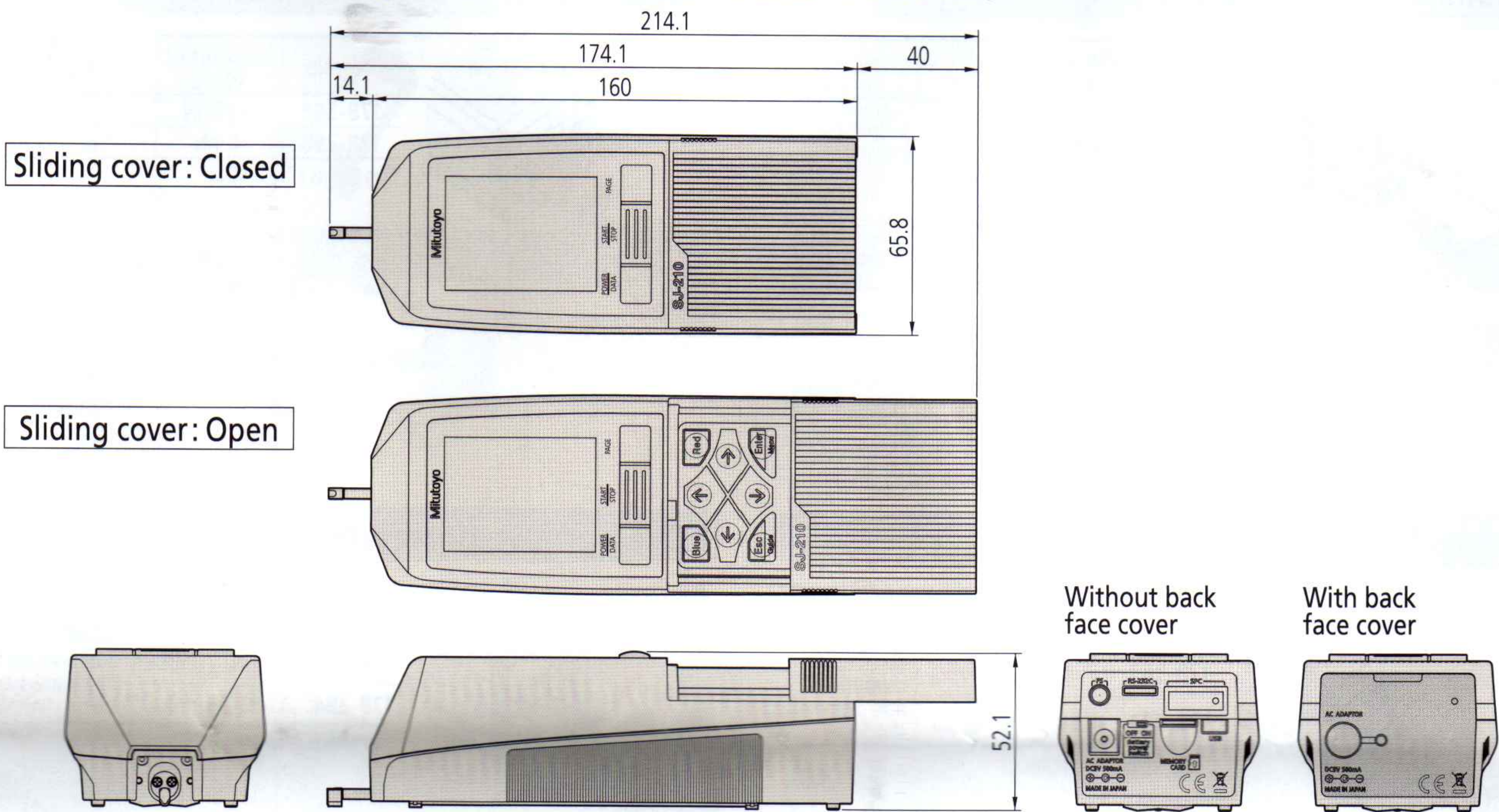
A for 120V, C for 100V, D for 230V, E for 230V(for UK), DC for 220V(for China), K for 220V(for Korea)

# Dimensions: Display Unit and Drive Unit

## Display unit, Drive unit

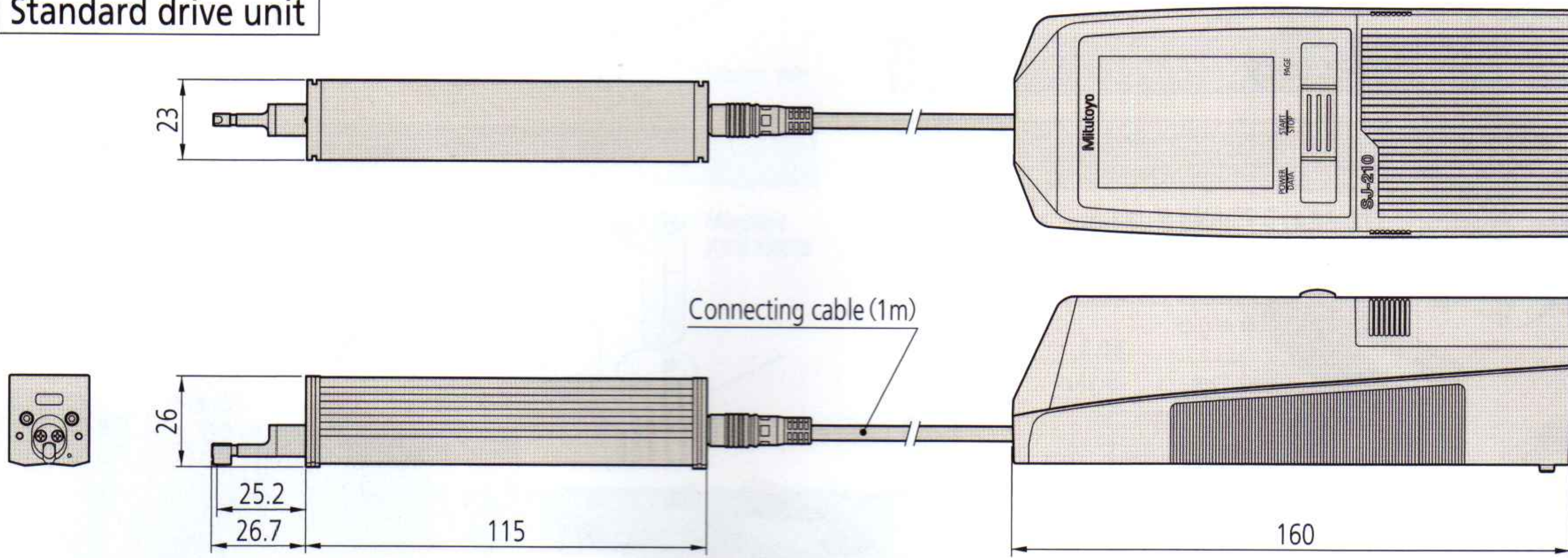
Unit: mm

- Drive unit stored inside display unit (Standard detector installed in drive unit)

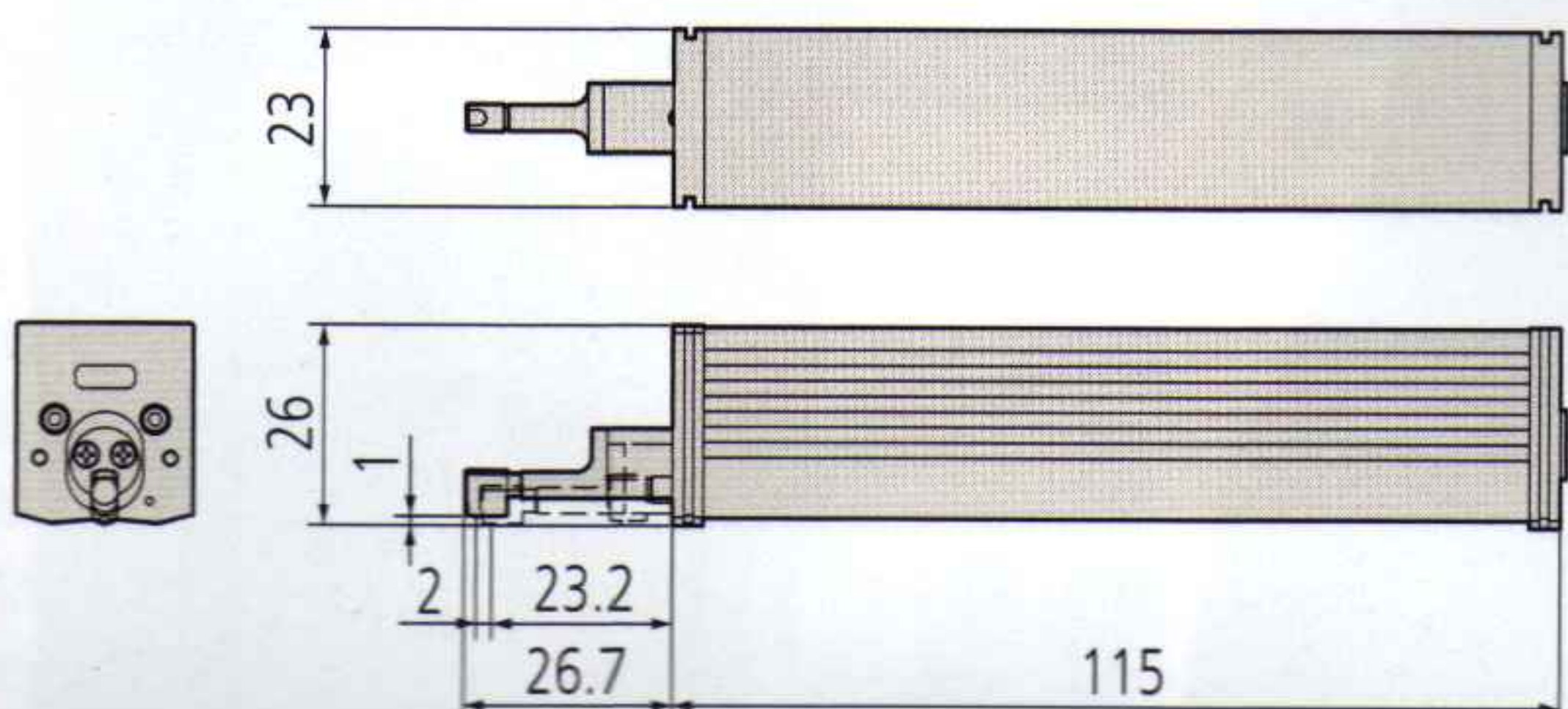


- Drive unit not stored inside display unit (Standard detector installed in drive unit)

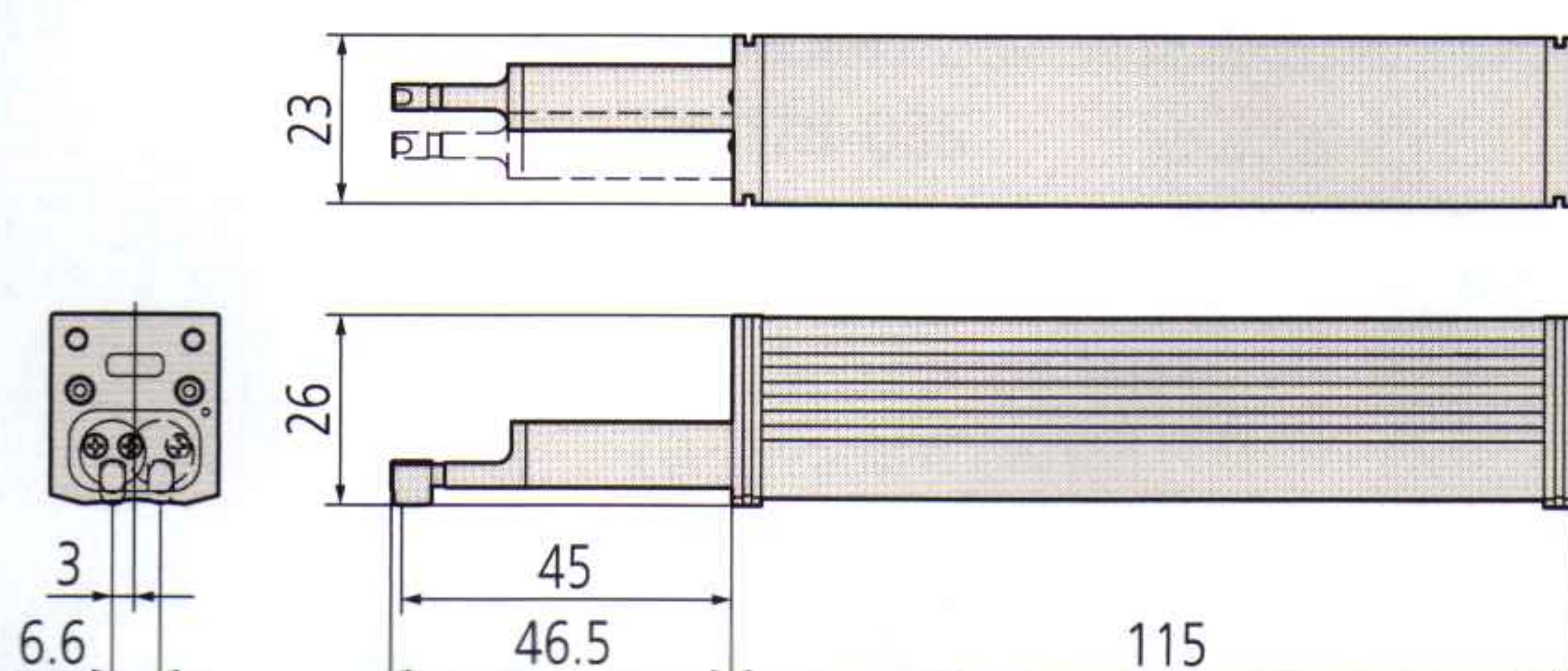
### Standard drive unit



### Retractable drive unit



### Transverse tracing drive unit

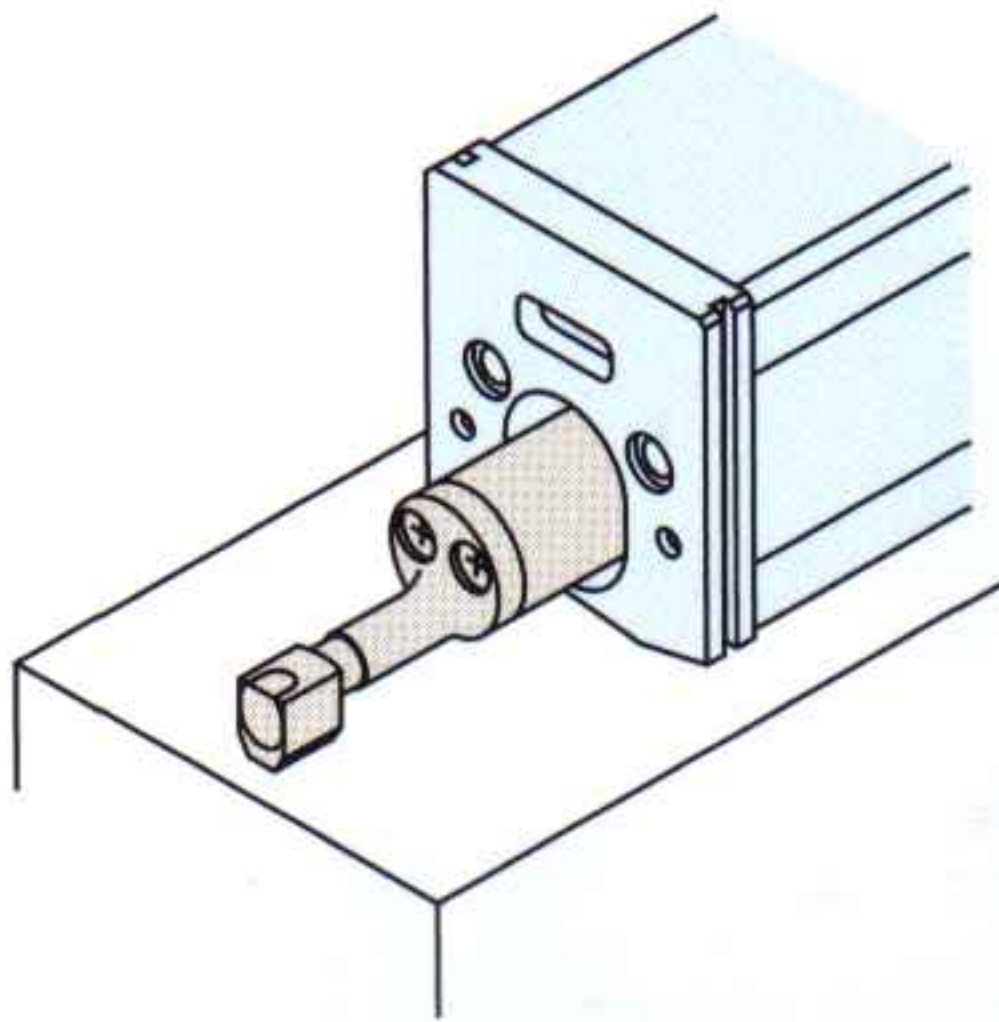


# Dimensions: Detectors

## Detectors

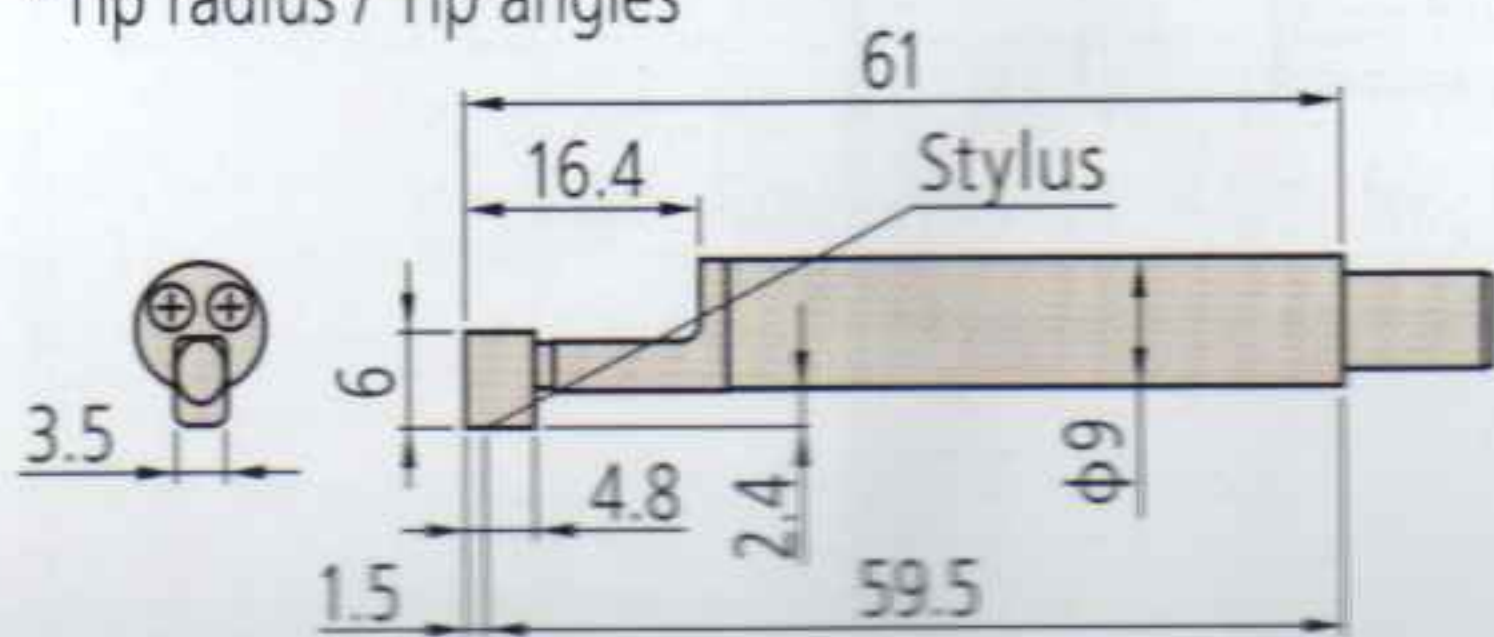
Unit: mm

### Standard detectors

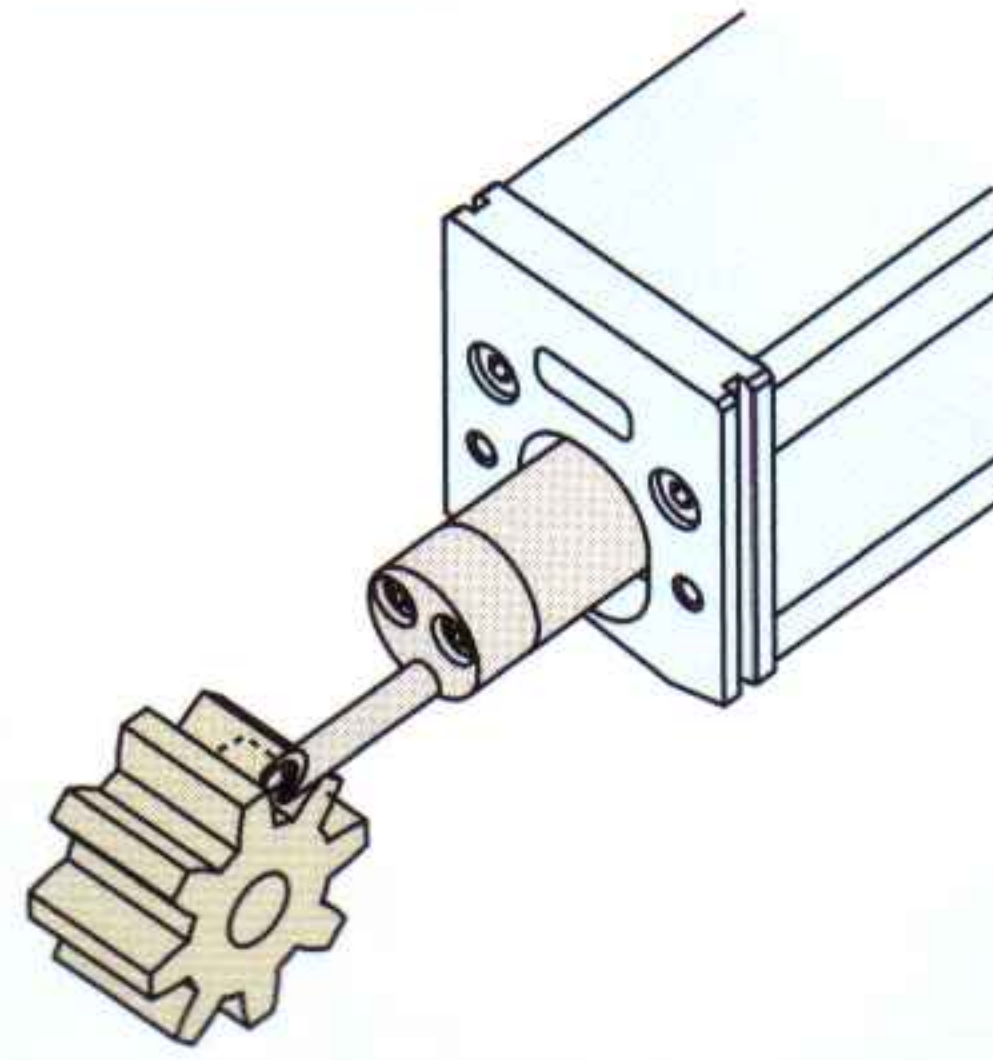


Order No.	Measuring force	Stylus profiles*	Remarks column
178-296	0.75mN	2 $\mu$ mR/60°	Dedicated to the standard/retractable drive unit
178-390	4 mN	5 $\mu$ mR/90°	
178-387	0.75mN	2 $\mu$ mR/60°	Dedicated to the transverse tracing drive unit
178-386	4 mN	5 $\mu$ mR/90°	
178-391	4 mN	10 $\mu$ mR/90°	Dedicated to the standard/retractable drive unit

\*Tip radius / Tip angles

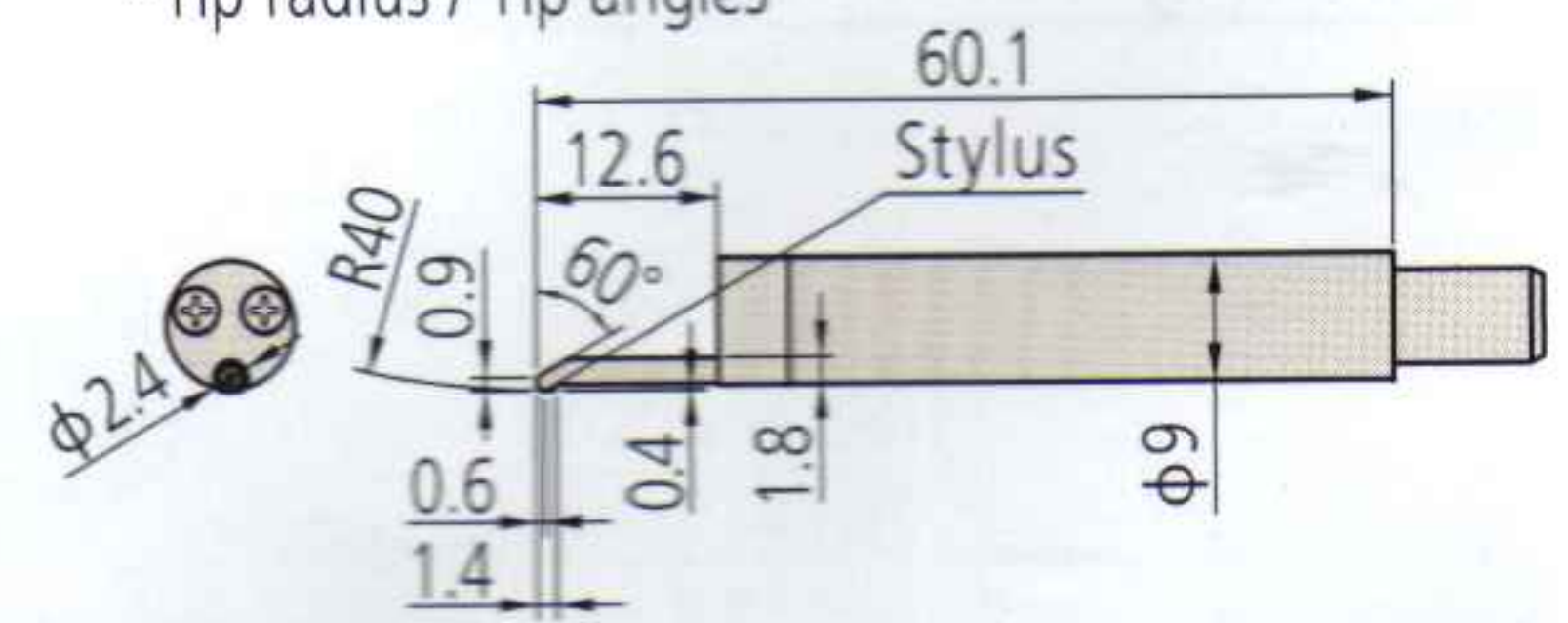


### Gear-tooth surface detectors

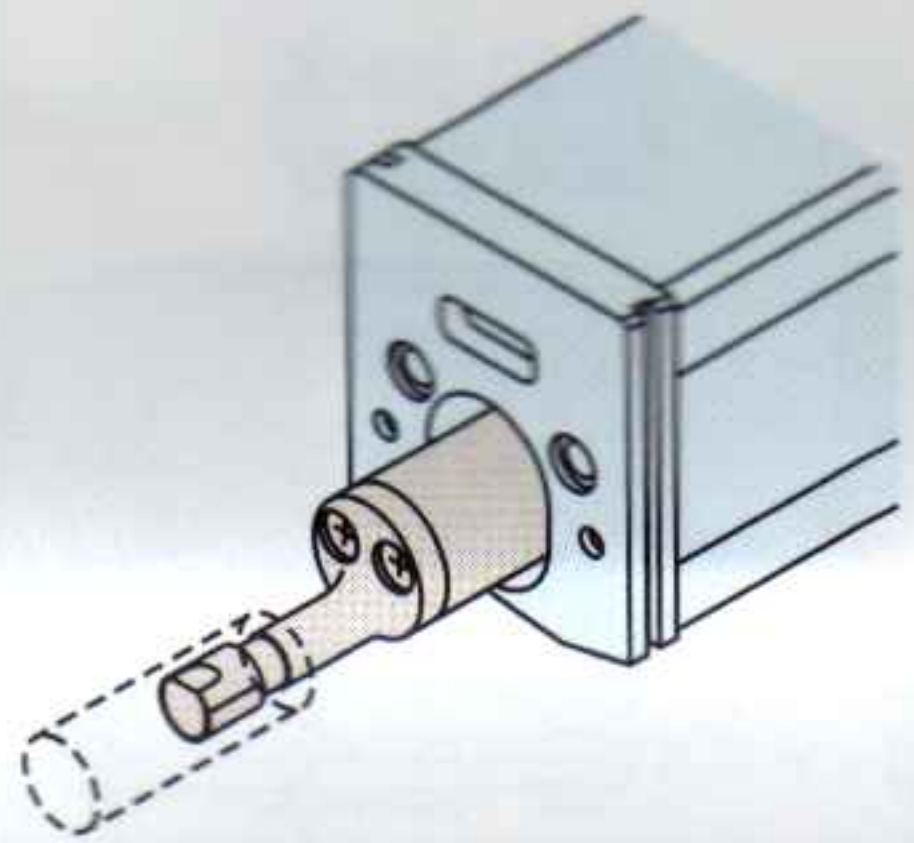


Order No.	Measuring force	Stylus profiles*
178-388	0.75mN	2 $\mu$ mR/60°
178-398	4 mN	5 $\mu$ mR/90°

\*Tip radius / Tip angles

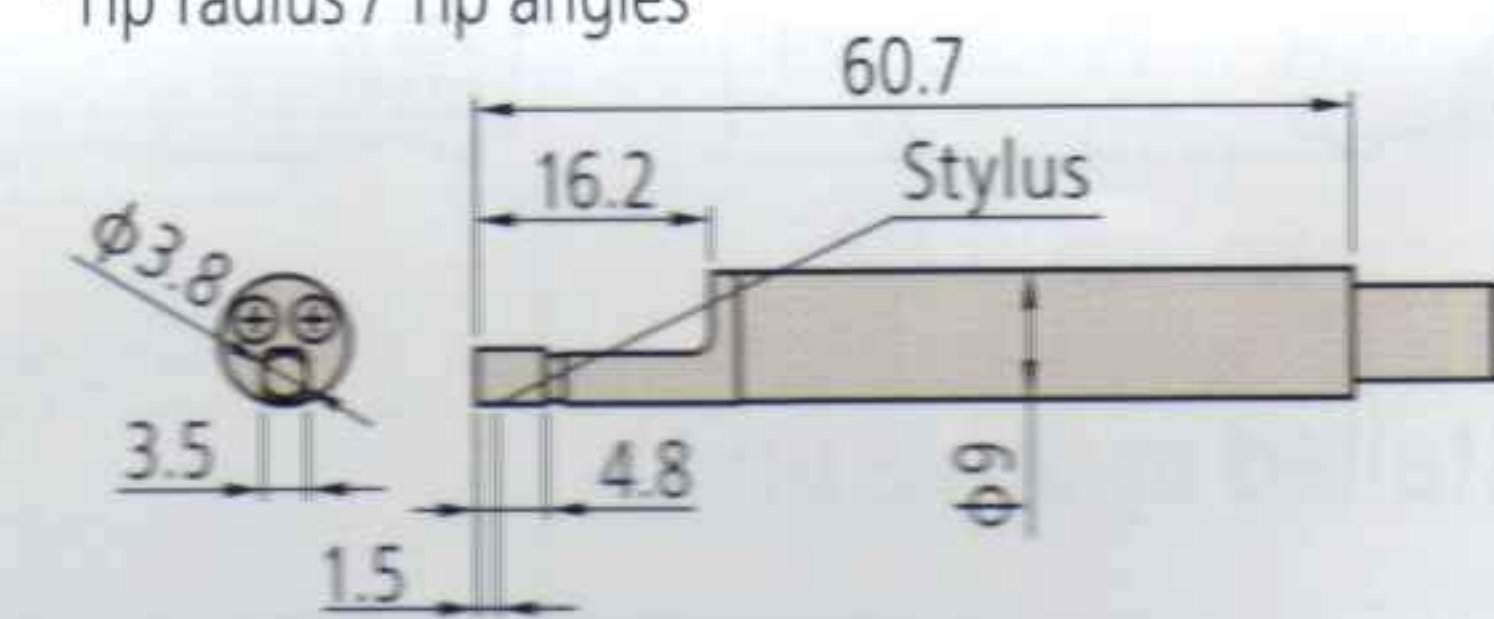


### Small hole detectors

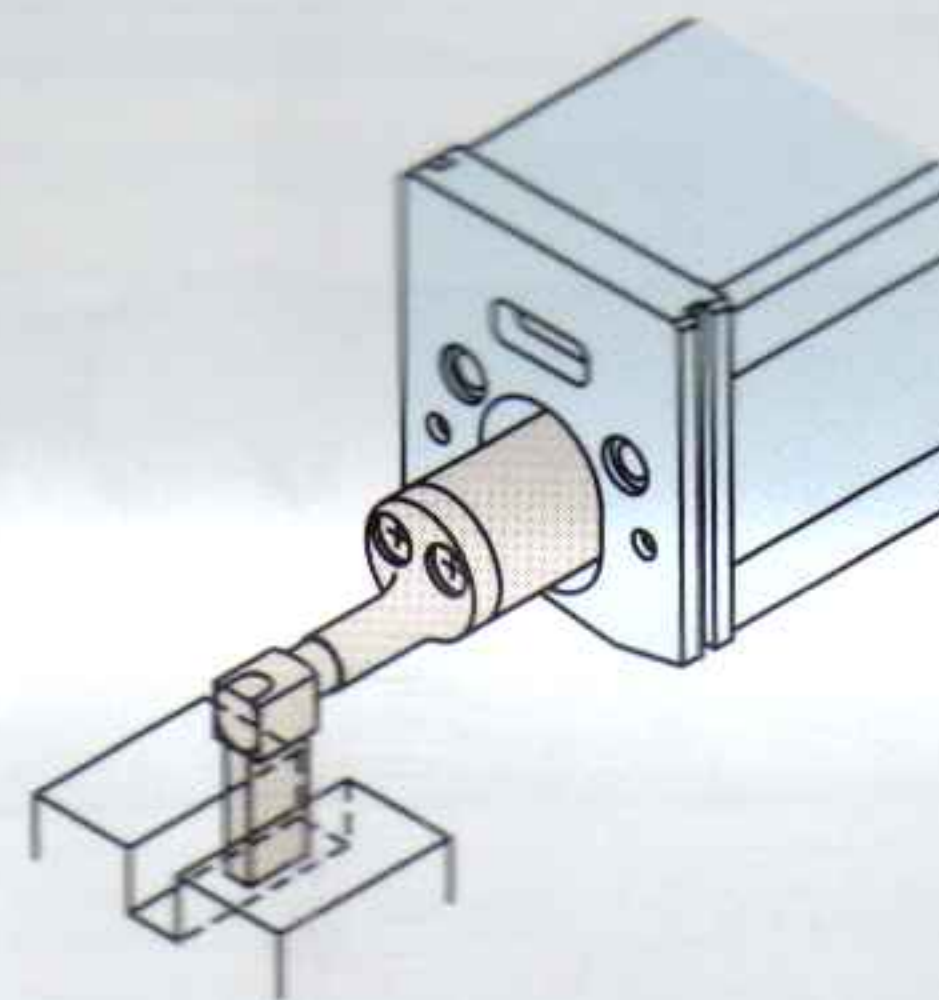


Order No.	Measuring force	Stylus profiles*	Remarks column
178-383	0.75mN	2 $\mu$ mR/60°	Minimum measurable hole diameter: $\phi$ 4.5mm
178-392	4 mN	5 $\mu$ mR/90°	

\*Tip radius / Tip angles

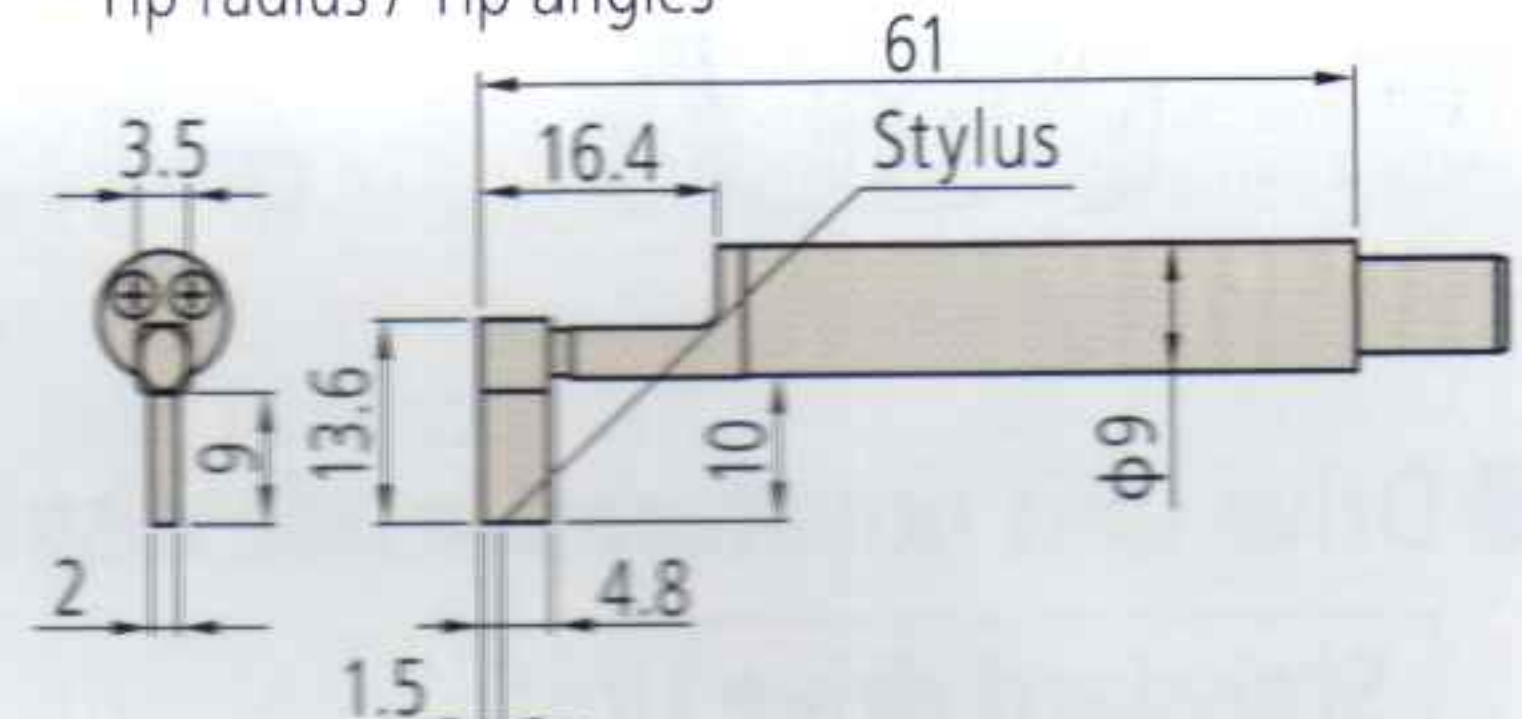


### Deep groove detectors

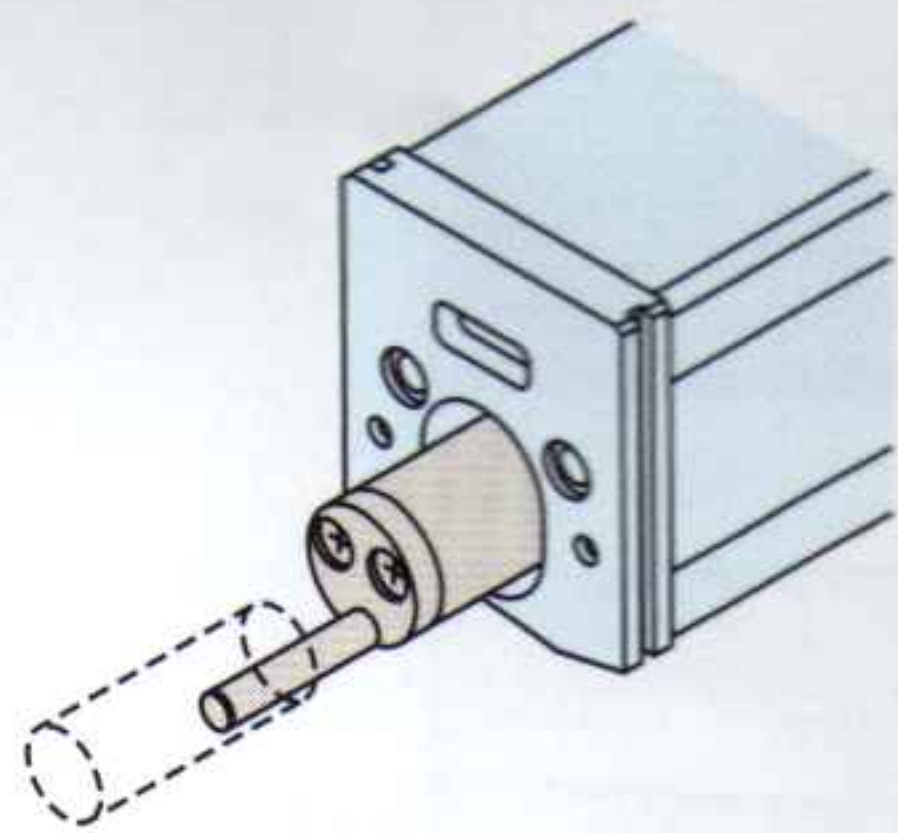


Order No.	Measuring force	Stylus profiles*	Remarks column
178-385	0.75mN	2 $\mu$ mR/60°	Not available for the transverse tracing drive unit
178-394	4 mN	5 $\mu$ mR/90°	

\*Tip radius / Tip angles

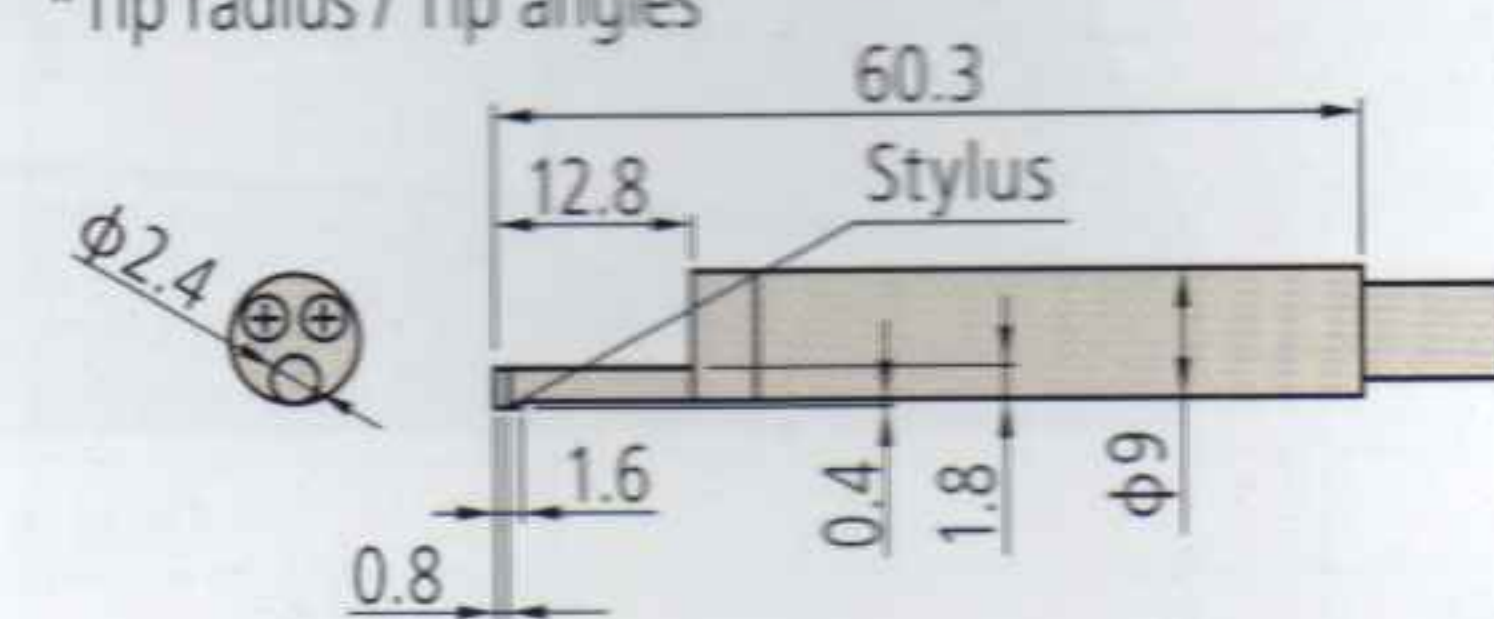


### Extra small hole detectors



Order No.	Measuring force	Stylus profiles*	Remarks column
178-384	0.75mN	2 $\mu$ mR/60°	Minimum measurable hole diameter: $\phi$ 2.8mm
178-393	4 mN	5 $\mu$ mR/90°	

\*Tip radius / Tip angles





# Optional Accessories: For Drive Unit

## Drive unit accessories

### Nosepiece for flat surface

**No.12AAA217**

\*Not available for the transverse tracing drive unit.



Nosepiece for flat surface  
No.12AAA217

### Nosepiece for cylindrical surface

**No.12AAA218**

\*Not available for the transverse tracing drive unit.



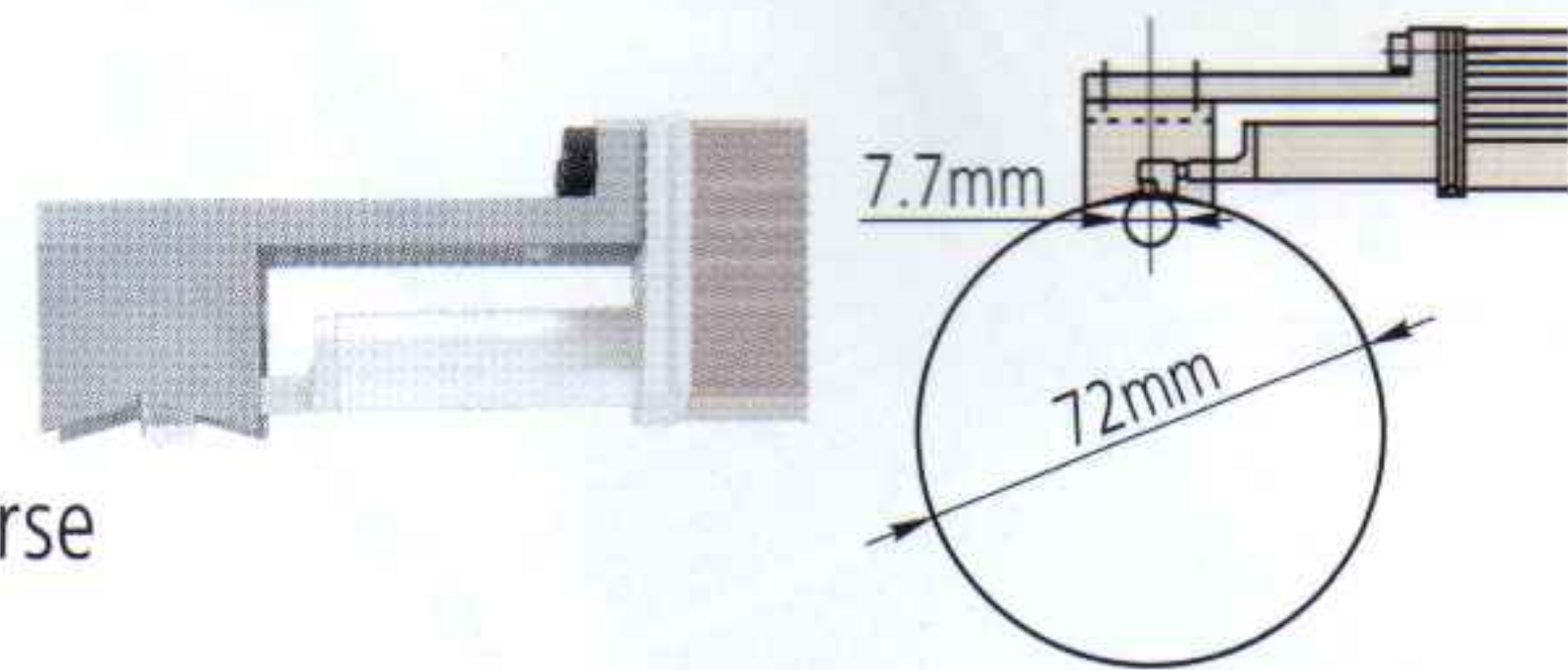
Nosepiece for cylindrical surface  
No.12AAA218

### V-type adapter

**No.12AAE644**

\*Transverse tracing drive unit type standard accessories.

\*Dedicated to the transverse tracing drive unit.



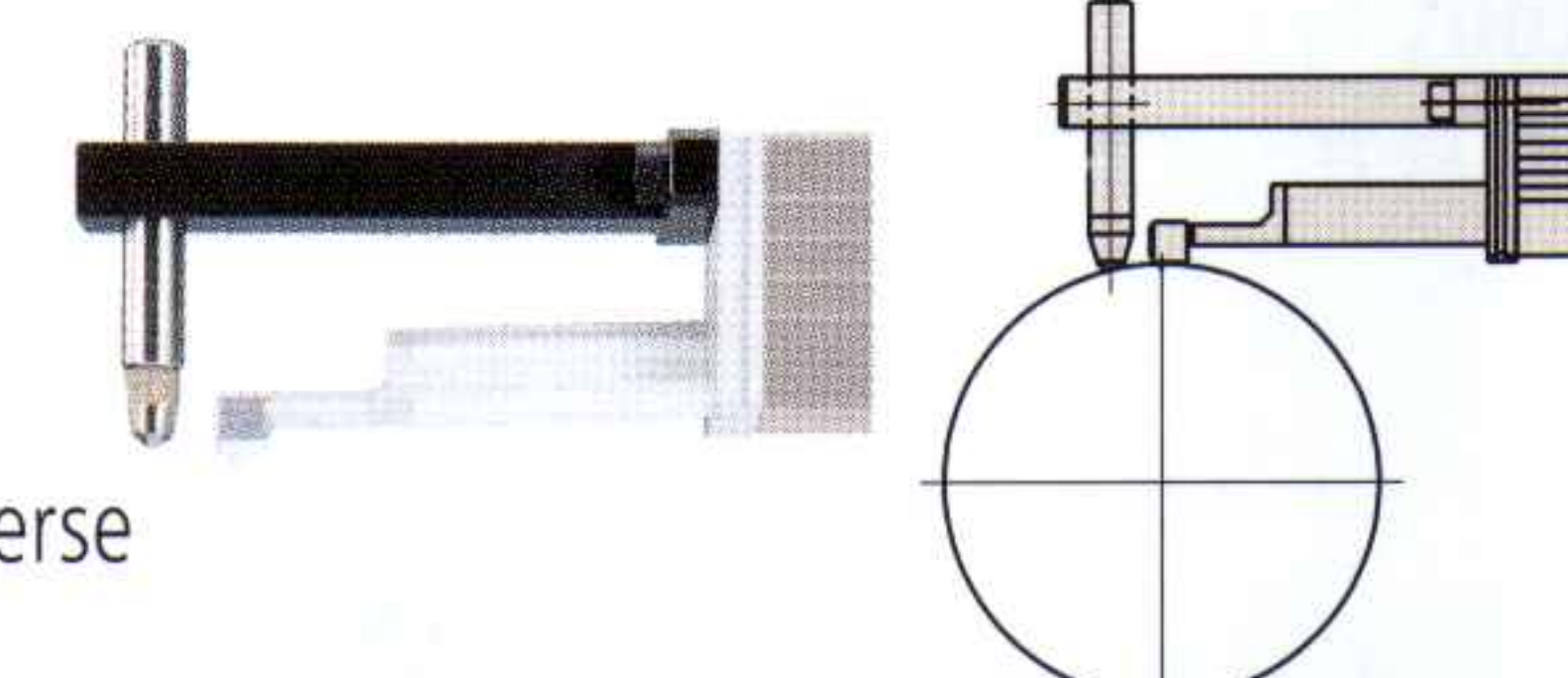
7.7mm  
72mm

### Point-contact adapter

**No.12AAE643**

\*Transverse tracing drive unit type standard accessories.

\*Dedicated to the transverse tracing drive unit.



### Extension rod (50mm) (Note: Extension is possible with only a single rod.)

**No.12AAA210**

\*Not available for the transverse tracing drive unit.



Extension rod 50mm  
No.12AAA210

### Extension cable (1m) (Note: Extension is possible with only a single cable.)

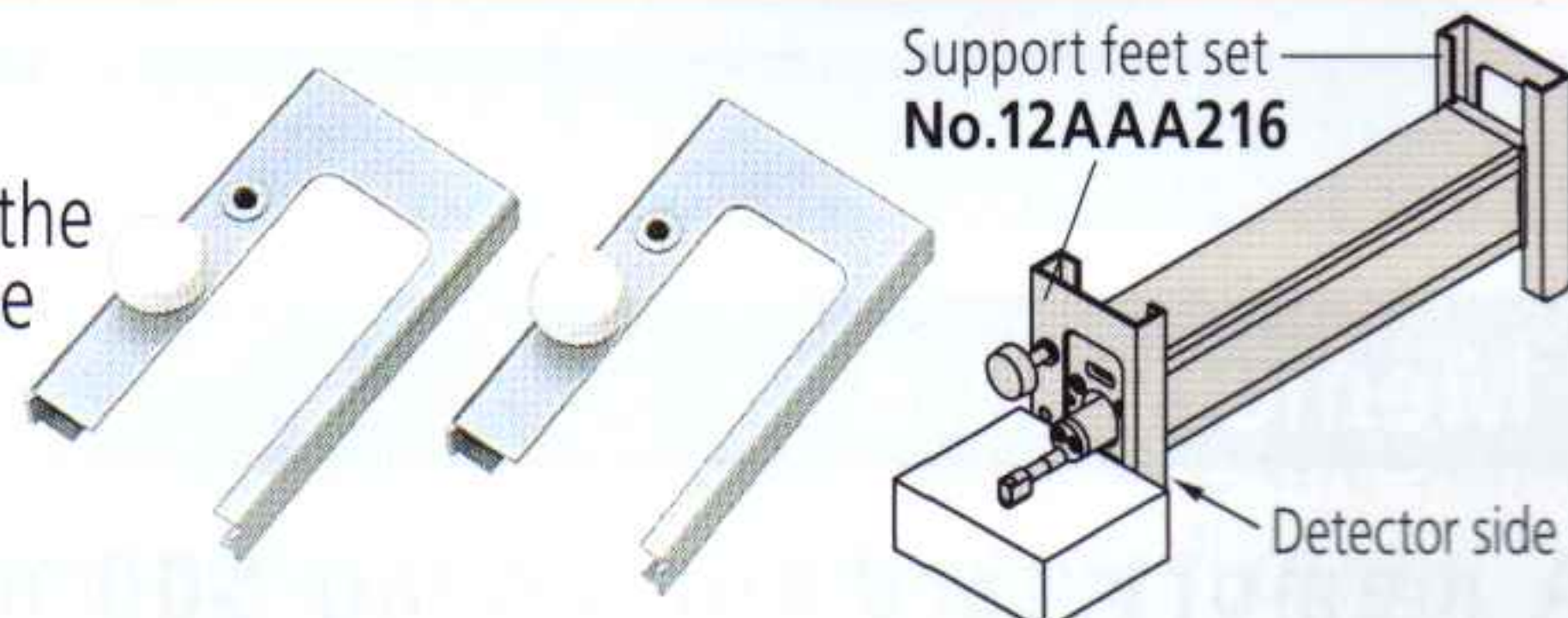
**No.12BAA303**

\*For connecting between calculation display unit and drive unit.

### Support feet set

**No.12AAA216**

\*Not attachable to the detector side of the transverse tracing drive unit.



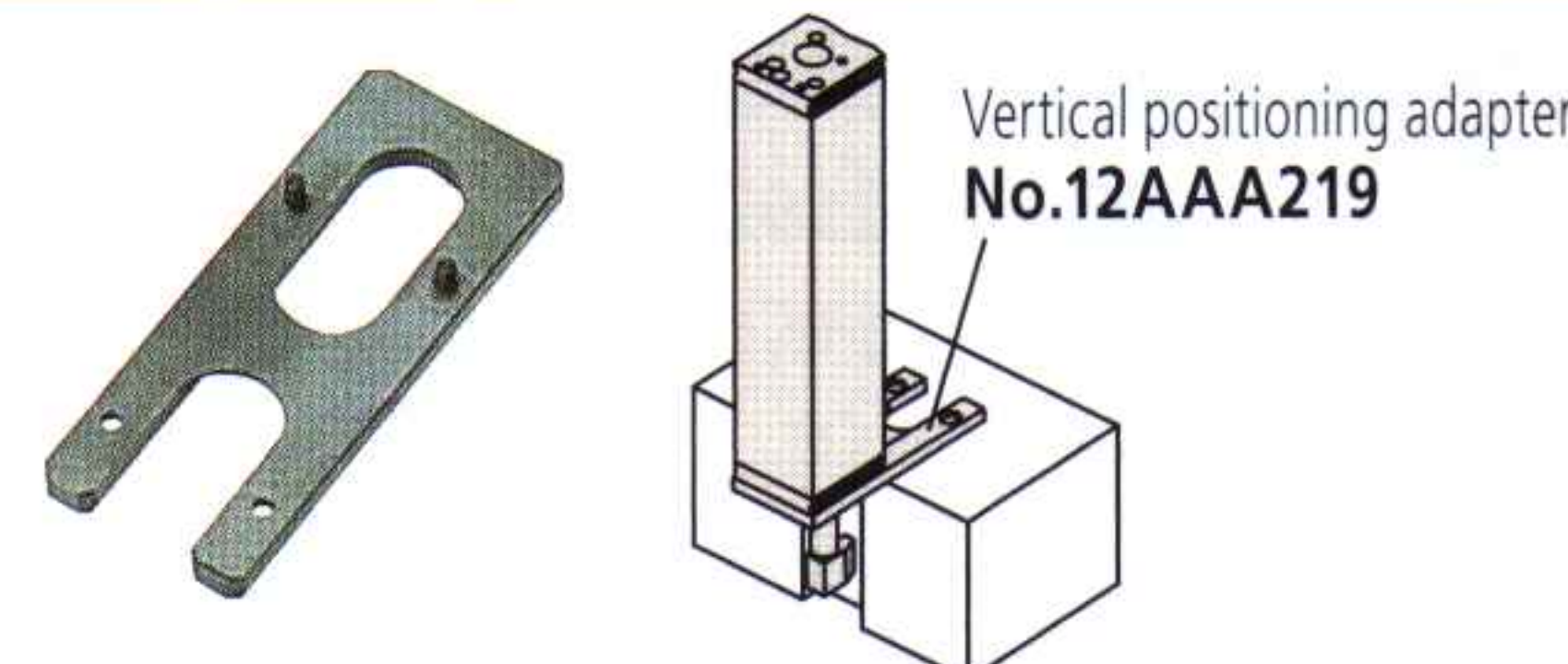
Support feet set  
No.12AAA216

Detector side

### Vertical positioning adapter

**No.12AAA219**

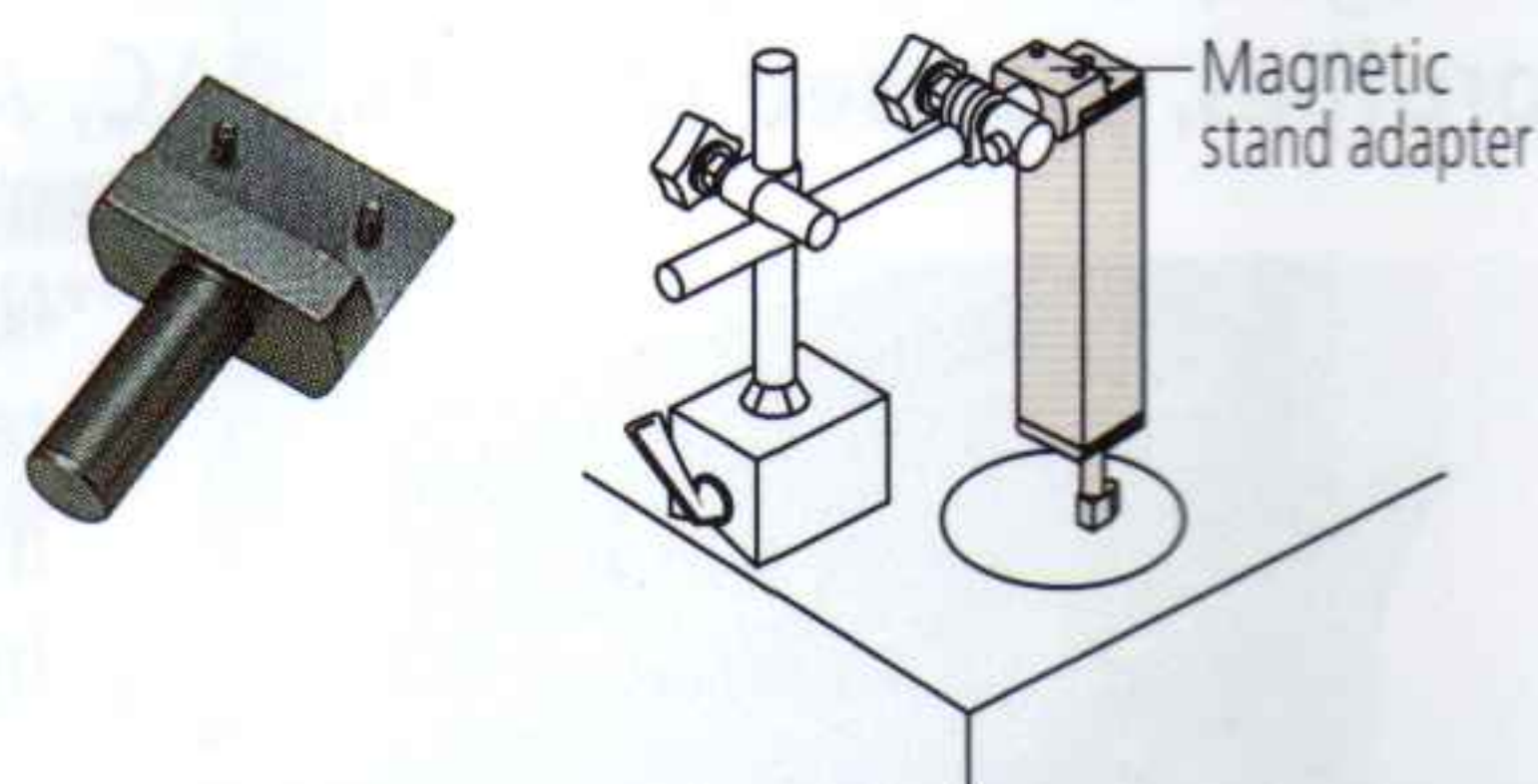
\*Not available for the transverse tracing drive unit.



Vertical positioning adapter  
No.12AAA219

### Magnetic stand adapter

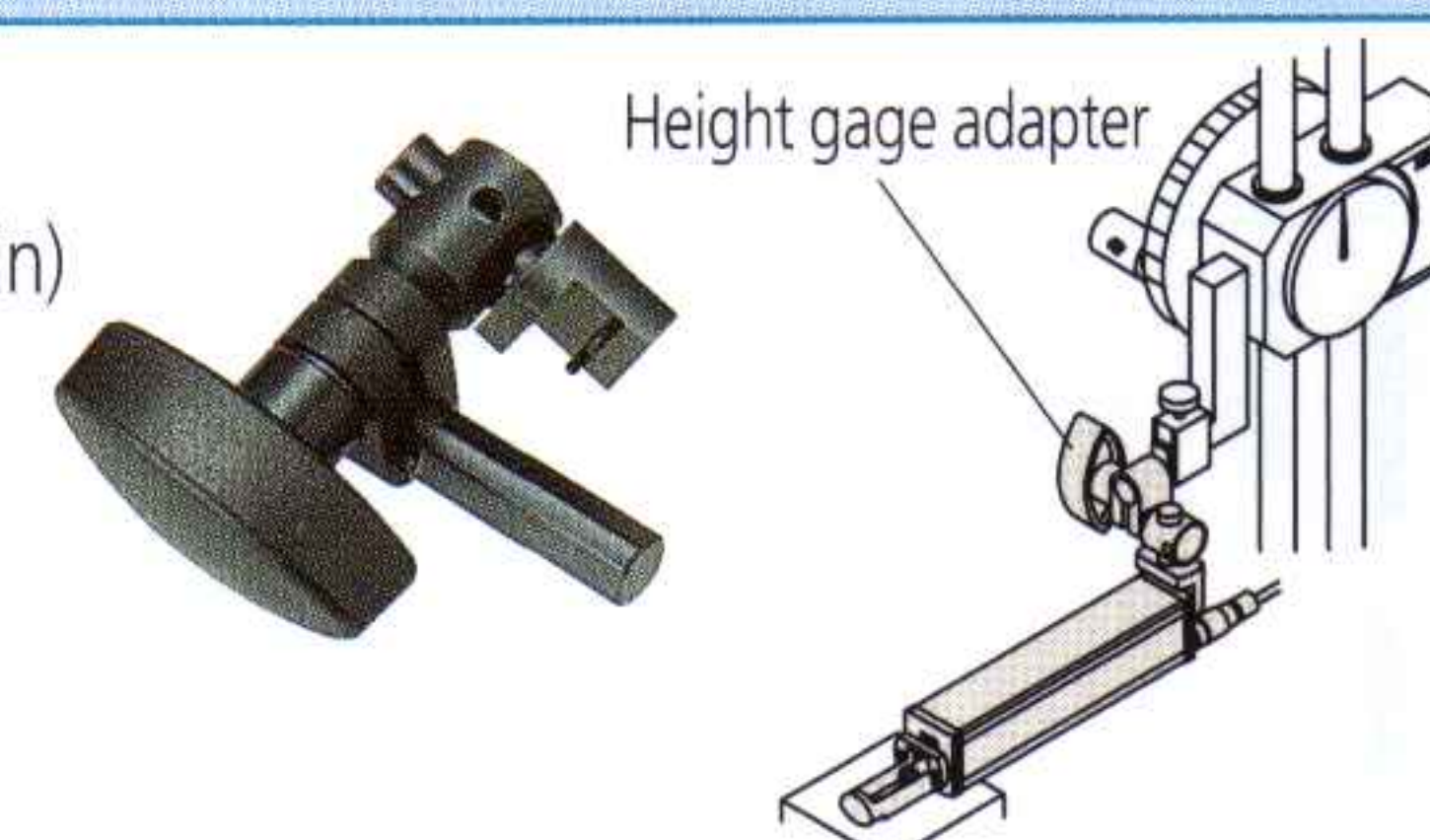
**No.12AAA221** (ø8mm)  
**No.12AAA220** (ø9.5mm)



Magnetic stand adapter

### Height gage adapter

**No.12AAA222** (9×9mm)  
**No.12AAA233** (1/4in×1/2in)



Height gage adapter

## Setting attachments

\* Not available for the transverse tracing drive unit

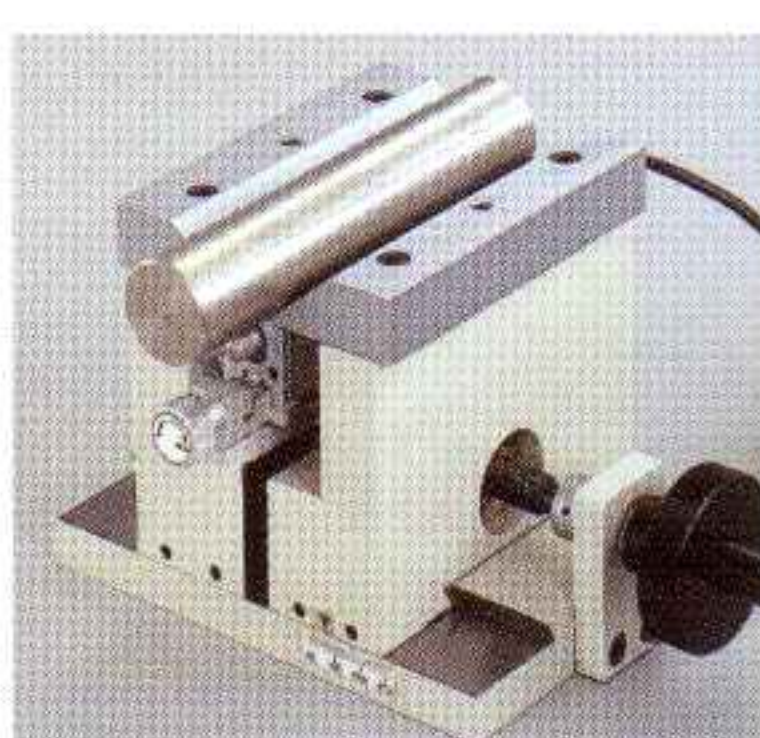
Enhances measurement efficiency by facilitating the measurement setup of multiple workpieces of the same type and of the hard-to-access sections of a workpiece.

### Setting attachment: V type for measuring in the cylinder axis direction

**No.178-033**

The V-width is adjustable to the cylinder diameter facilitating axial measurement of a wide range of cylinder diameters.

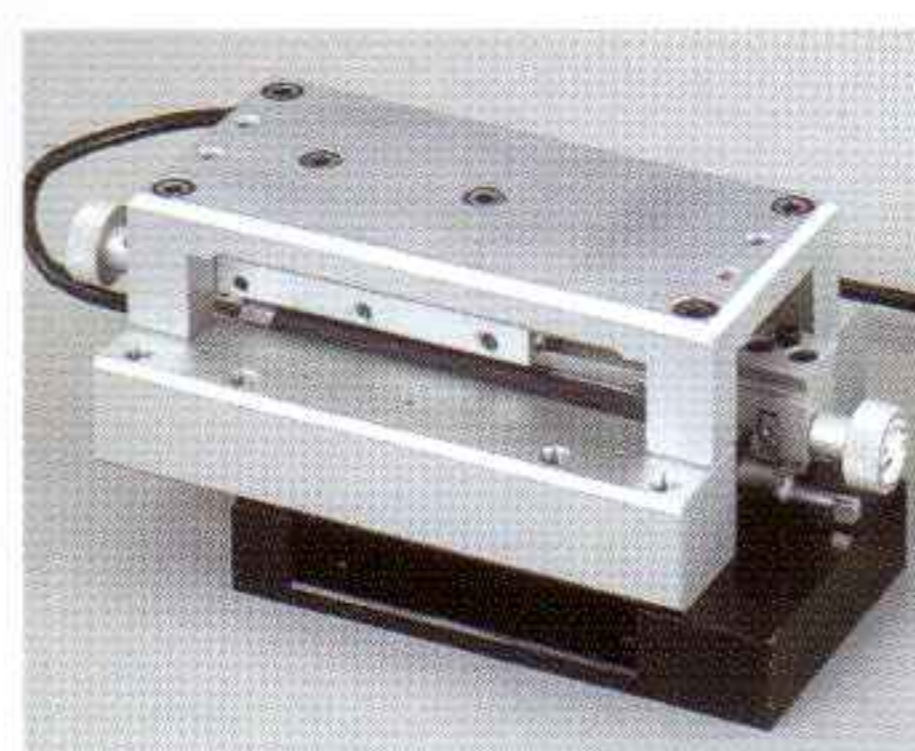
- Adjustable range: ø 5 ~ 150mm



### Setting attachment: Magnetic slider type

**No.178-034**

The magnet attached to the frame bottom surface allows taking hands-free measurement on the wall.



### Setting attachment: Inside diameter type

**No.178-035**

Greatly facilitates measurement of internal wall surfaces of, for example, a cylinder block.

- Applicable diameter: ø 75 ~ ø 95mm
- Accessible depth: 30 ~ 135 mm



# Optional Accessories: For External Equipment

## Printer for SJ-210

Assessed profiles and calculation results and curves can be printed out by connecting the SJ-210-dedicated printer, which is palm sized (W×D×H: 93×125×70mm) and can run on an internal battery.

- Power supply can be selected. (AC adapter or battery pack)
- Printable items: Measurement conditions, calculation results, assessed profile, bearing area curve (BAC), amplitude distribution curve (ADC), and environment settings.

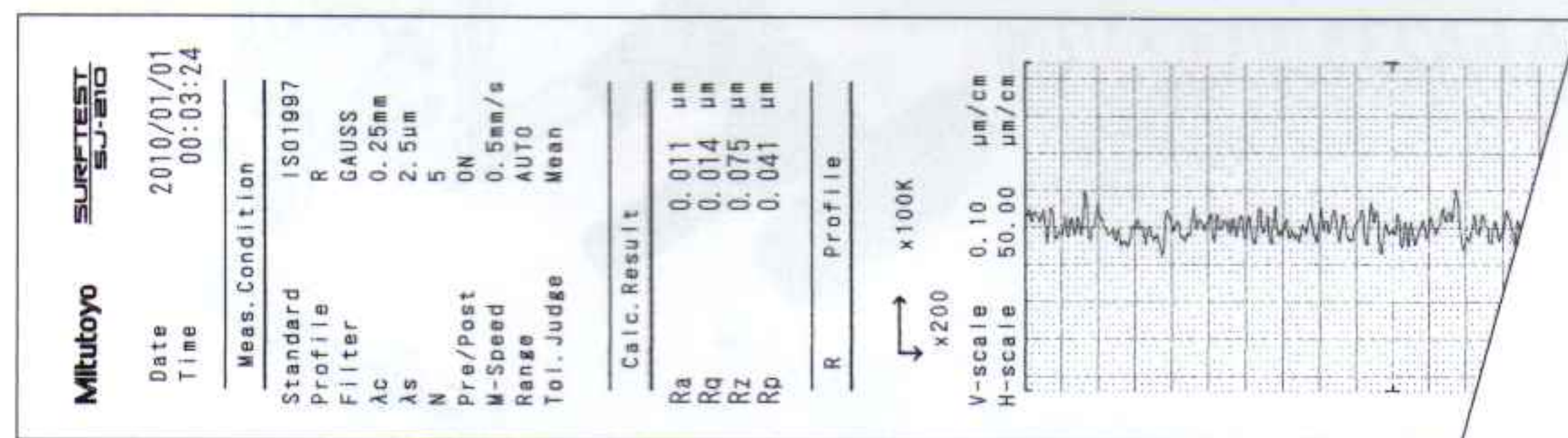


**No.178-421**  
To denote your AC line voltage add the following suffixes (e.g. 178-421A).  
A for 120V, D for 230V

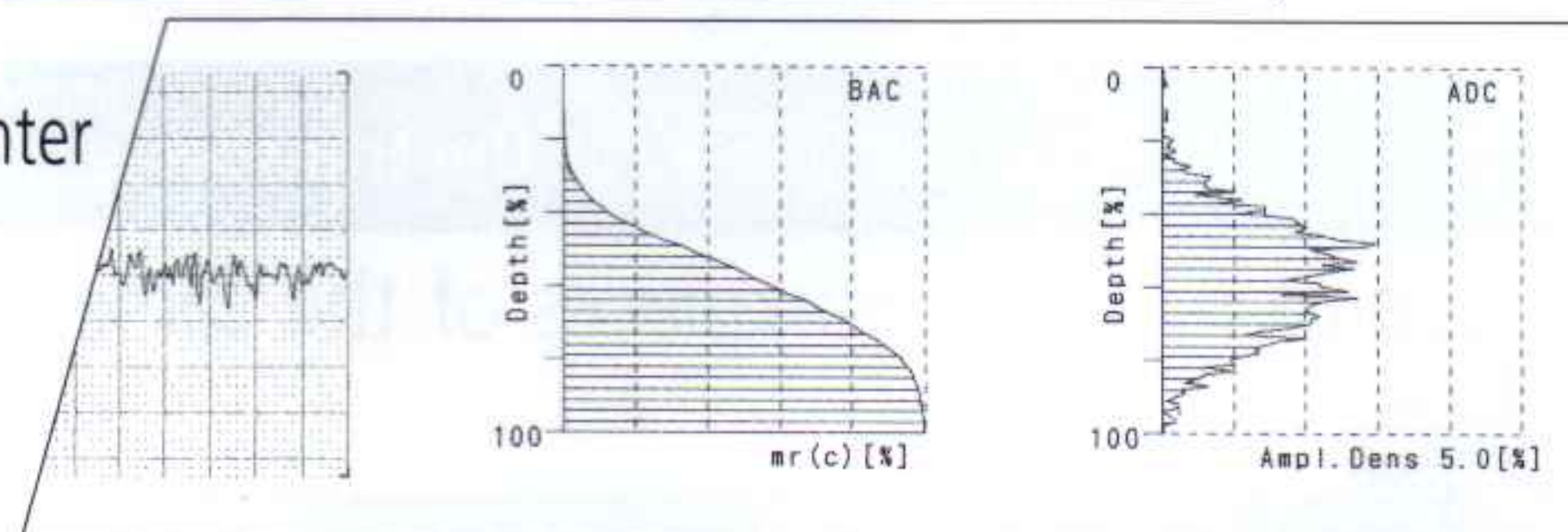
- Unit configuration:
- ① Printer main unit
  - ② Printer connecting cable
  - ③ Printing paper 6-pack
  - ④ Battery pack 1piece
  - ⑤ Exclusive use AC adaptor (with AC power cord) 1piece



Example of the connection with SJ-210



Example of the output by the printer



Printer for SJ-210 supplies  
Printing paper (5-pack) **No.12AAA876**

## Digimatic mini processor DP-1VR

By connecting this printer to the SurfTest SJ-210's digimatic output, you can print calculation results, perform a variety of statistical analyses, draw a histogram or D chart, and also perform complicated operations for X-R control charts.



**No.264-504**  
To denote your AC line voltage add the following suffixes (e.g. 264-504-5A).  
5A for 120V, 5D for 230V, 5E for 230V (for UK), 5DC for 220V (for China), 5K for 220V (for Korea), 5F for 230V (for Oceania)

SJ-210 → DP-1VR Connecting cable  
1m: **No.936937**  
2m: **No.965014**

## Memory card

A memory card for saving 500 measurement conditions, 1000 measured profiles, 500 display images, text file (measurement conditions, measured profiles, assessed profiles, BAC, ADC)



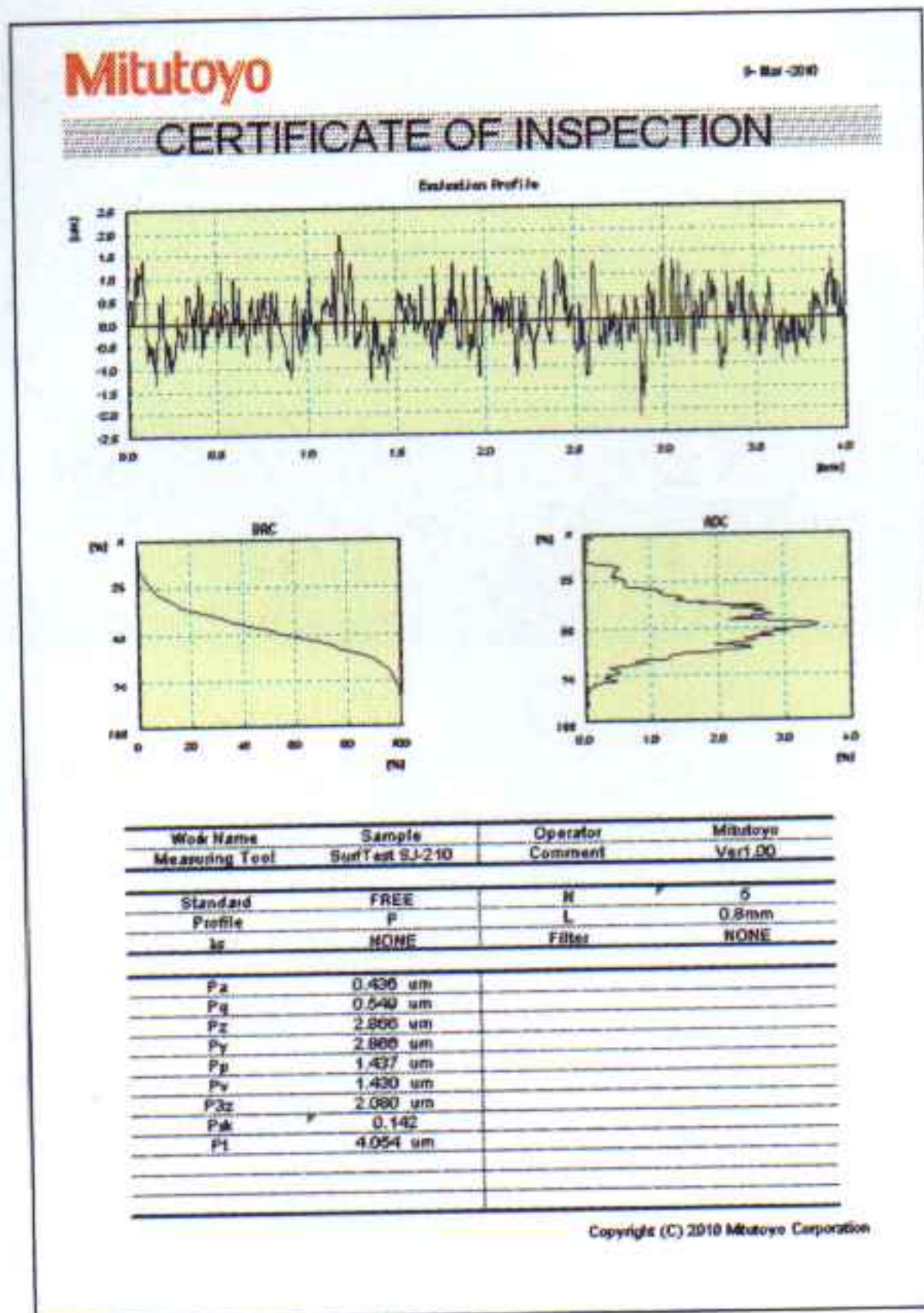
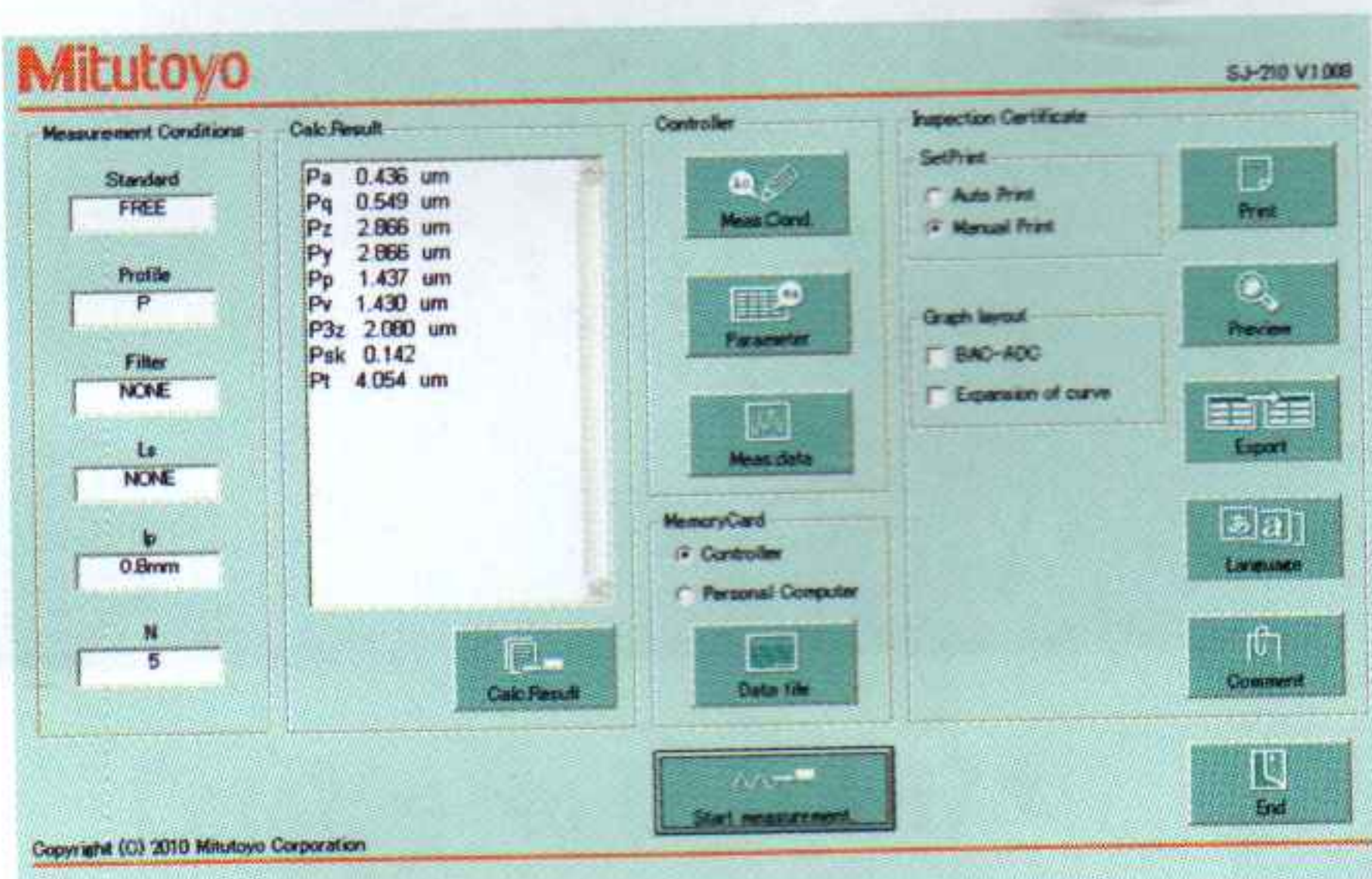
\*Not all memory cards can be recognized. Please use the memory card recommended by Mitutoyo.

**No.12AAL069**

# Optional Accessories: For External Output

## Simplified communication program for SURFTEST SJ series

The Surfctest SJ-210 has a USB interface, enabling data to be transferred to spreadsheet or other software. We also provide a program that lets you create inspection record tables using a Microsoft Excel\* macro.



### Required environment\*:

- OS : Windows 2000 SP4
- Windows XP
- Windows Vista
- Windows 7
- Spreadsheet software: Microsoft Excel 2000
- Microsoft Excel 2002
- Microsoft Excel 2007

\*Windows OS and Microsoft Excel are products of Microsoft Corporation.

### The optional USB cable is also required.

- USB cable for SJ-210 series (2m)
- No.12AAL068

This program can be downloaded for free from the Mitutoyo website.  
<http://www.mitutoyo.co.jp>

## Footswitch

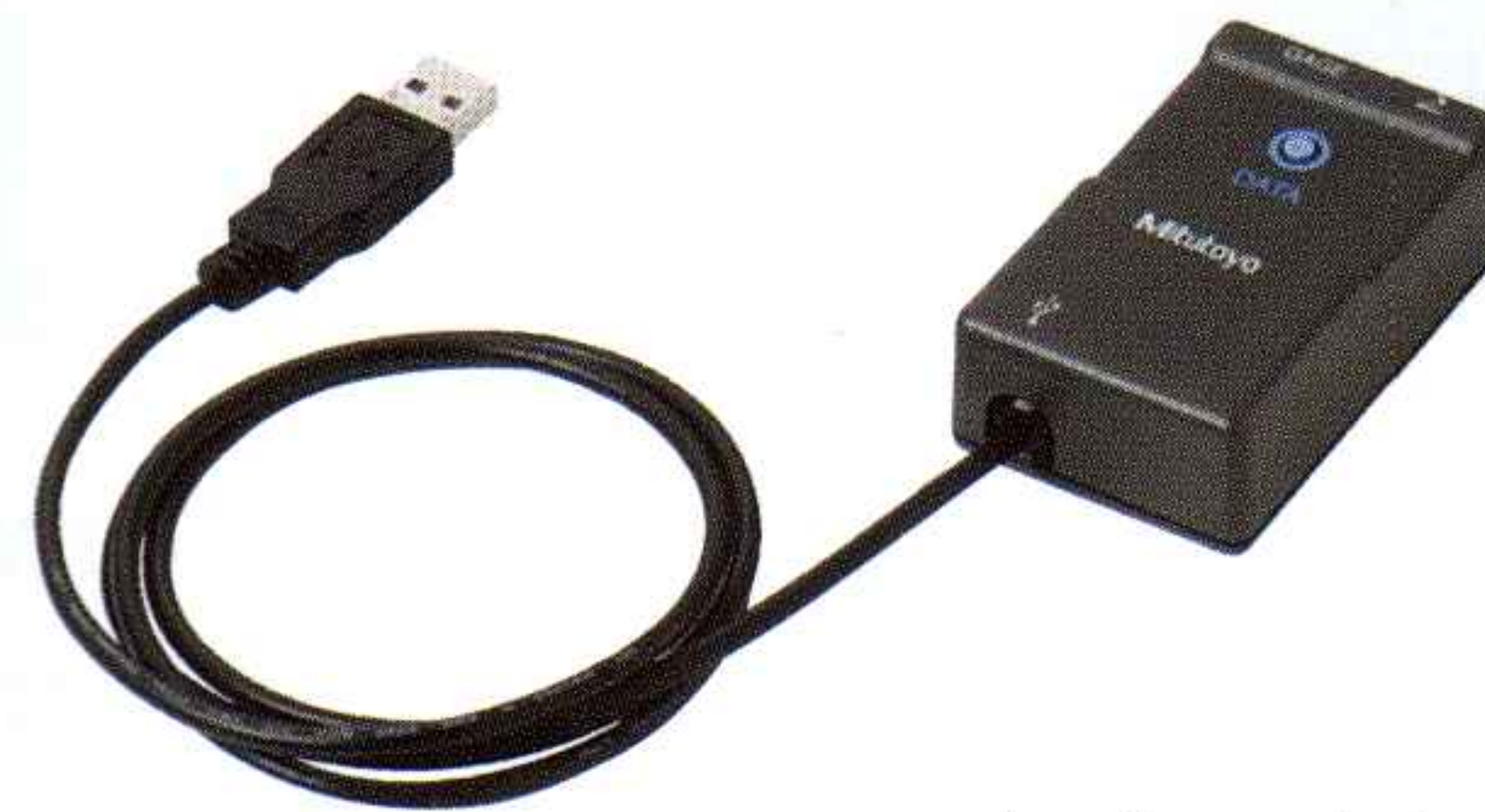
A footswitch is used to trigger measurement. This tool is very useful in cases where you need to measure the same workpiece multiple times using jigs and other fixtures.



No.12AAJ088

## Input Tool: Calculation results input unit

Surftest SJ-210 calculation results can be loaded directly into commercial spreadsheet software via this unit simply by connecting it to the USB connector on a computer or a PS/2 type keyboard connector. (See Catalog No.E4250-264 for details.)

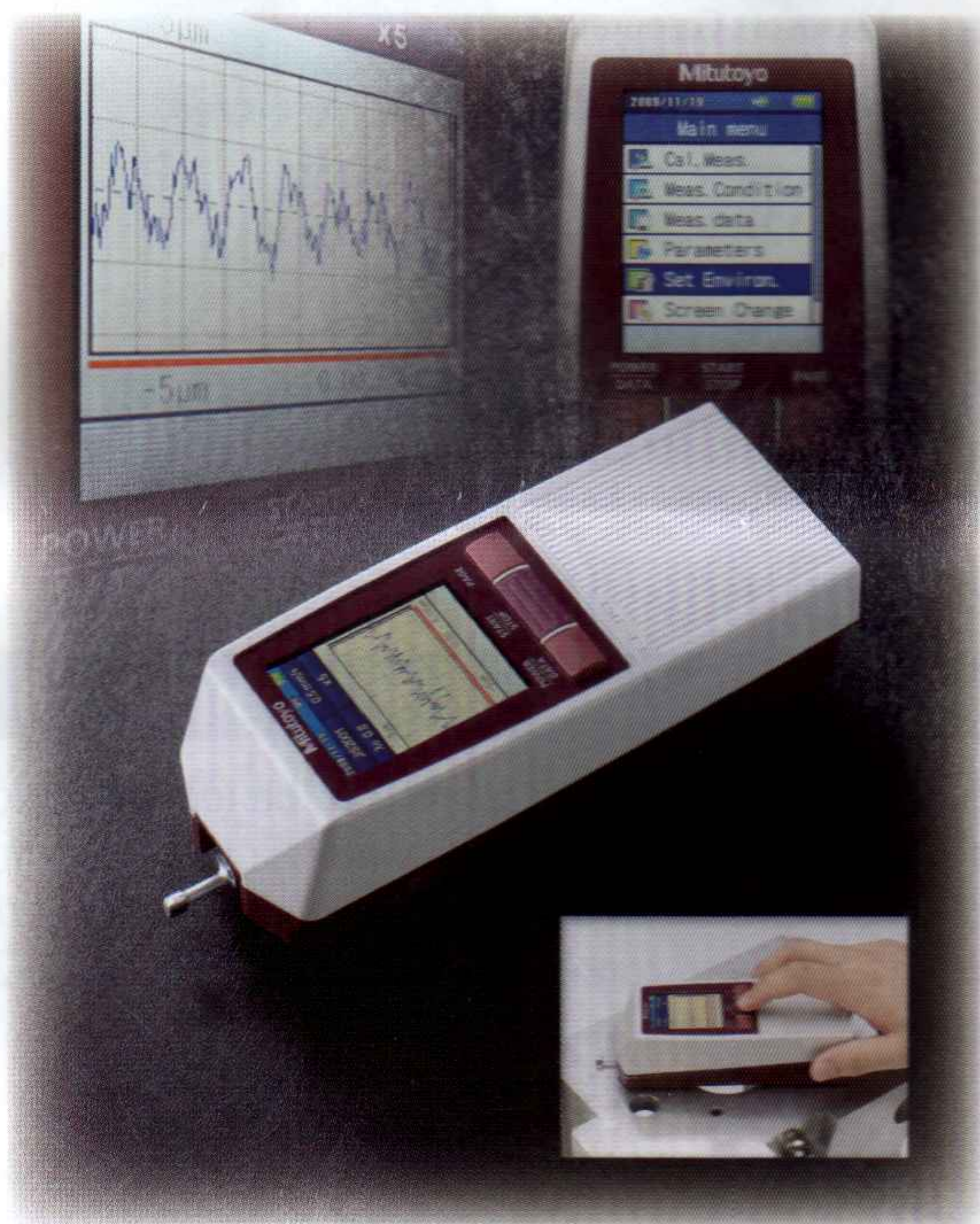


USB keyboard signal conversion model  
**IT-012U No.264-012-10**  
 PS/2 keyboard signal conversion model  
**IT-005D No.264-005**

## Protective sheets for the display

Protective sheet for the color LCD (5 sets)

No.12AAL066



Export permission by the Japanese government may be required for exporting our products according to the Foreign Exchange and Foreign Trade Law. Please consult our sales office near you before you export our products or you offer technical information to a nonresident.

- Coordinate Measuring Machines
- Vision Measuring Systems
- Form Measurement
- Optical Measuring
- Sensor Systems
- Test Equipment and Seismometers
- Digital Scale and DRO Systems
- Small Tool Instruments and Data Management

**Mitutoyo Corporation**  
 20-1, Sakado 1-chome,  
 Takatsu-ku, Kawasaki-shi,  
 Kanagawa 213-8533, Japan  
 T +81 (0) 44 813-8230  
 F +81 (0) 44 813-8231  
<http://www.mitutoyo.co.jp>

Note: All information regarding our products, and in particular the illustrations, drawings, dimensional and performance data contained in this pamphlet, as well as other technical data are to be regarded as approximate average values. We therefore reserve the right to make changes to the corresponding designs, dimensions and weights. The stated standards, similar technical regulations, descriptions and illustrations of the products were valid at the time of printing. Only quotations submitted by ourselves may be regarded as definitive.  
 Our products are classified as regulated items under Japanese Foreign Exchange and Foreign Trade Law. Please consult us in advance if you wish to export our products to any other country. If the purchased product is exported, even though it is not a regulated item (Catch-All controls item), the customer service available for that product may be affected. If you have any questions, please consult your local Mitutoyo sales office.

**Mitutoyo**