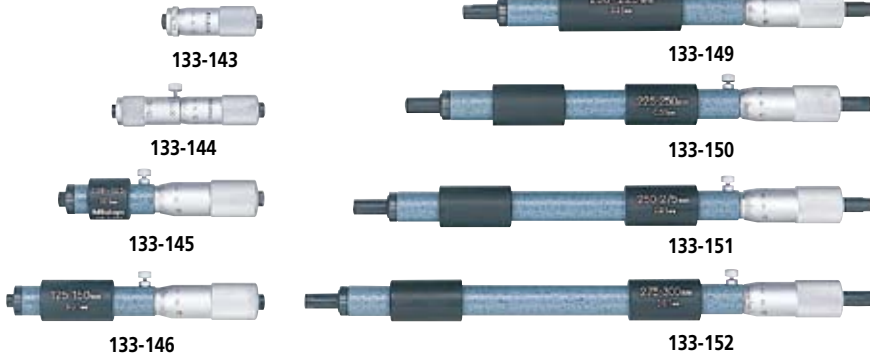


Inside Micrometers

For easy and accurate measurement of inside diameters

Tubular Inside Micrometers SERIES 133 — Single Rod Type

- Standard single rod type inside micrometer.
- Carbide measuring faces.
- The sleeve is rotated to adjust the index line position when setting to a length standard.
- Setting ring (nominal size below 300mm), CERA Inside Micro Checker, and Gauge Block accessory set are provided as a reference gage for datum adjustment (refer to page C-47, C-26, and E-17 - E20 for details).



Optional Accessory



SPECIFICATIONS

Metric	Individual			
Order No.	Range	Graduation	Accuracy	
133-143	50 - 75mm	0.01mm	±3μm	
133-144	75 - 100mm		±4μm	
133-145	100 - 125mm		±5μm	
133-146	125 - 150mm			
133-147	150 - 175mm			
133-148	175 - 200mm			
133-149	200 - 225mm			
133-150	225 - 250mm			
133-151	250 - 275mm		±6μm	
133-152	275 - 300mm			
133-153	300 - 325mm			
133-154	325 - 350mm			±7μm
133-155	350 - 375mm			
133-156	375 - 400mm			
133-157	400 - 425mm		±8μm	
133-158	425 - 450mm			
133-159	450 - 475mm			
133-160	475 - 500mm		±9μm	
133-161	500 - 525mm			
133-162	525 - 550mm			
133-163	550 - 575mm	±10μm		
133-164	575 - 600mm			
133-165	600 - 625mm			
133-166	625 - 650mm	±11μm		
133-167	650 - 675mm			
133-168	675 - 700mm			
133-169	700 - 725mm	±12μm		
133-170	725 - 750mm			
133-171	750 - 775mm			
133-172	775 - 800mm	±13μm		
133-173	800 - 825mm			
133-174	825 - 850mm			
133-175	850 - 875mm	±14μm		
133-176	875 - 900mm			
133-177	900 - 925mm			
133-178	925 - 950mm	±15μm		
133-179	950 - 975mm			
133-180	975 - 1000mm		±16μm	

Inch	Individual		
Order No.	Range	Graduation	Accuracy
133-223	2" - 3"	.001"	±.00015"
133-224	3" - 4"		±.0002"
133-225	4" - 5"		±.00025"
133-226	5" - 6"		
133-227	6" - 7"		
133-228	7" - 8"		
133-229	8" - 9"		
133-230	9" - 10"		
133-231	10" - 11"		
133-232	11" - 12"		

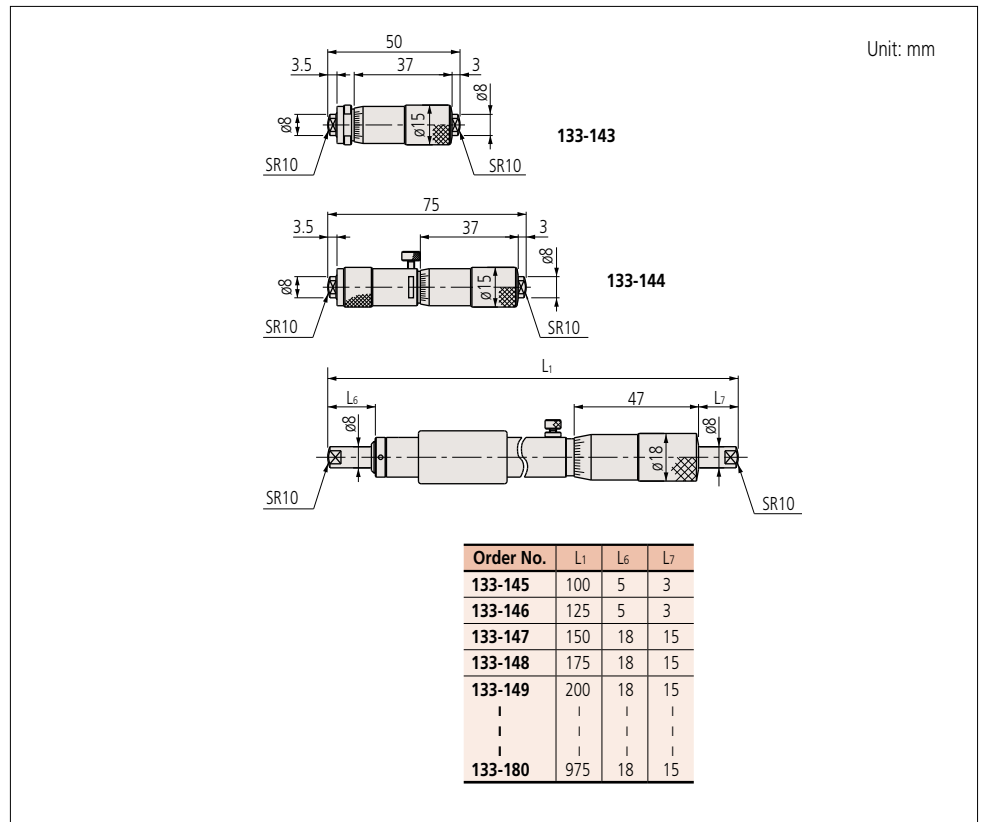
Single Rod Type Inside Micrometer Set



133-902

Metric Micrometer set			Inch Micrometer set		
Order No.	Range	Models included	Order No.	Range	Models included
133-901	50 - 150mm (4 heads/set)	133-143 133-144 133-145 133-146 with fitted case	133-903	2" - 6" (4 heads/set)	133-223 133-224 133-225 133-226 with fitted case
133-902	50 - 300mm (10 heads/set)	133-143 133-144 133-145 133-146 133-147 133-148 133-149 133-150 133-151 133-152 with fitted case	133-904	2" - 12" (10 heads/set)	133-223 133-224 133-225 133-226 133-227 133-228 133-229 133-230 133-231 133-232 with fitted case

DIMENSIONS



Inside Micrometers

For easy and accurate measurement of inside diameters

Tubular Inside Micrometers SERIES 137, 337 — Extension Rod Type

- Wide range of inside measurements possible by combining extension rods and anvils with the micrometer head.
- Two types of measuring faces are available; with or without carbide tip. (No. 337-101/301/302/102/303/304 only available with carbide tip.)
- The sleeve is rotated to adjust the index line position when setting to a length standard.
- An inside length standard is required for accurately setting the micrometer.
- Order No. 337-101/301/302/102/303/304 features:
 - IP65 (water-proof) protection level that enables use in the presence of cutting fluid.
 - A large-character LCD display.
 - Storage of 2 preset values for use when setting to an inside length standard.
 - A function lock that prevents accidental changing of the reference setting during measurement.
 - An output port for measurement data that enables inclusion in a statistical process control or networked measurement system. Refer to page A-3 for details.
 - Ability to use Interface Input Tools that enable conversion of measurement data to keyboard signals that are then directly input to cells in off-the-shelf spreadsheet software such as Excel. Refer to page A-5 for details.



337-301



137-205

SPECIFICATIONS

Metric							
Order No.	Range	Resolution	Micrometer head stroke	Extension rods		Display unit	
				Qty	Size		
Digimatic (LCD)							
337-101	200 - 225mm	0.001mm	25mm	—	—	200 - 225mm	
337-301	200 - 1000mm			6	25, 50, 100 (2 pcs.)		200, 300mm
337-302	200 - 1500mm			7	25, 50, 100, 200, 300 (3 pcs.)		mm

Metric						
Order No.	Range	Graduation	Micrometer head stroke	Extension rods		Main unit
				Qty	Size	
Analog						
137-201	50 - 150mm	0.01mm	13mm	3	13, 25, 50mm	50 - 63mm
137-202	50 - 300mm			5	13, 25, 50 (2 pcs.), 100mm	
137-203	50 - 500mm			6	13, 25, 50 (2 pcs.), 100, 200mm	
137-204	50 - 1000mm			8	13, 25, 50 (2 pcs.), 100, 200 (2 pcs.), 300 mm	
137-205	50 - 1500mm			10	13, 25, 50 (2 pcs.), 100, 200 (3 pcs.), 300 (2 pcs.)mm	
Analog (With carbide measuring face)						
137-206	50 - 150mm	0.01mm	13mm	3	13, 25, 50mm	50 - 63mm
137-207	50 - 300mm			5	13, 25, 50 (2 pcs.), 100mm	
137-208	50 - 500mm			6	13, 25, 50 (2 pcs.), 100, 200mm	
137-209	50 - 1000mm			8	13, 25, 50 (2 pcs.), 100, 200 (2 pcs.), 300 mm	
137-210	50 - 1500mm			10	13, 25, 50 (2 pcs.), 100, 200 (3 pcs.), 300 (2 pcs.)mm	

Inch/Metric						
Order No.	Range	Resolution	Micrometer head stroke	Extension rods		Display unit
				Qty	Size (inch)	
Digimatic (LCD)						
337-102	8" - 9"	.0001"/ 0.001mm	1"	—	—	8 - 9"
337-303	8" - 40"			6	1", 2", 4" (2 pcs.), 8", 12"	
337-304	8" - 60"			7	1", 2", 4", 8", 12" (3 pcs.)	

Inch						
Order No.	Range	Graduation	Micrometer head stroke	Extension rods		Main unit
				Qty	Size (inch)	
Analog						
137-211	2" - 6"	.001"	.5"	3	.5", 1", 2"	2 - 2.5"
137-212	2" - 12"			5	.5", 1", 2" (2 pcs.), 4"	
137-213	2" - 20"			6	.5", 1", 2" (2 pcs.), 4", 8"	
137-214	2" - 40"			8	.5", 1", 2" (2 pcs.), 4", 8" (2 pcs.), 12"	
137-215	2" - 60"			10	.5", 1", 2" (2 pcs.), 4", 8" (3 pcs.), 12" (2 pcs.)	
Analog (With carbide measuring face)						
137-216	2" - 6"	.001"	.5"	3	.5", 1", 2"	2 - 2.5"
137-217	2" - 12"			5	.5", 1", 2" (2 pcs.), 4"	
137-218	2" - 20"			6	.5", 1", 2" (2 pcs.), 4", 8"	
137-219	2" - 40"			8	.5", 1", 2" (2 pcs.), 4", 8" (2 pcs.), 12"	
137-220	2" - 60"			10	.5", 1", 2" (2 pcs.), 4", 8" (3 pcs.), 12" (2 pcs.)	



These marks indicate that a product has successfully passed IP65-level testing, which is carried out by the independent German certification organization TÜV Rheinland.



(Refer to page X for details.)

IP Codes

- Level 6: Dust-proof.
No ingress of dust allowed.
- Level 5: Protected against water jets.
Water projected in jets against the enclosure from any direction shall have no harmful effects.

Technical Data

Accuracy
±(3 + number of rods + maximum measurement length/50) μm (fraction rounded up)
Excluding quantizing error (only for Digimatic)



Functions

(for 337-101/301/302/102/303/304)

- Zero-setting
- Origin restoration
- Data hold
- 2-point Preset
- Function lock
- Automatic power ON/OFF
- Error alarm
- Data output

Battery and scale type

(for 337-101/301/302/102/303/304)

- SR44 (1 pc), **938882**, for initial operational checks (standard accessory)
- Battery life: Approx. 1.2 years under normal use
- Scale type: Electromagnetic induction-type rotary encoder

Optional accessories

- Refer to page A-21 for details.
- Connecting cables with **IT/DP/MUX**, etc.
 - 1m: **05CZA662**
 - 2m: **05CZA663**
- USB Input Tool Direct** (2m): **06ADV380B**
- Connecting cables for **U-WAVE-T**
 - For standard (160mm): **02AZD790B**
 - For foot switch: **02AZE140B**

Tubular Inside Micrometers SERIES 137 — Extension Rod Type (main unit)

- Micrometer head for Extension Rod Type inside micrometer.
- The sleeve is rotated to adjust the index line position when setting to a length standard.
- Setting ring and Gauge Block accessory set are provided as a reference gage for datum adjustment (refer to page C-47 and E-17 - E20 for details).



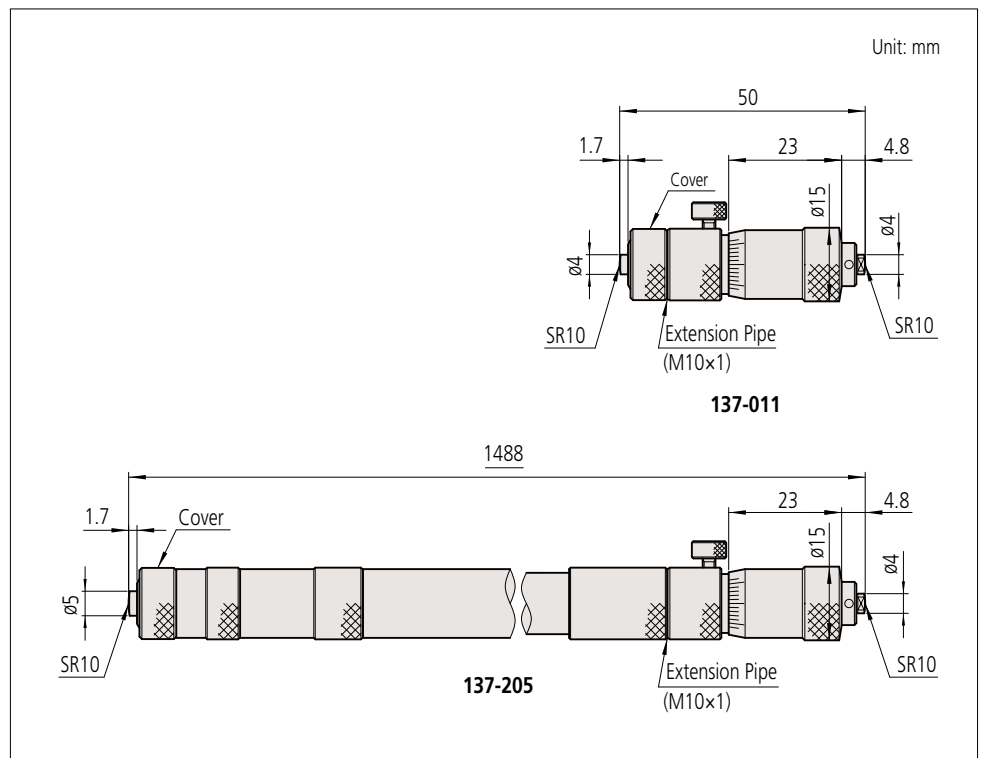
137-011

SPECIFICATIONS

Metric				
Order No.	Range	Graduation	Accuracy	Micrometer head stroke
137-011	50 - 63mm	0.01mm	±3μm	13mm
Carbide-tipped 137-013				

Inch				
Order No.	Range	Graduation	Accuracy	Micrometer head stroke
137-012	2" - 2.5"	.001"	±.00015"	.5"
Carbide-tipped 137-014				

DIMENSIONS



Inside Micrometers

For easy and accurate measurement of inside diameters

Tubular Inside Micrometers SERIES 139, 339, 140 — Extension Pipe Type

- Wide range of inside diameter measurements possible by combining extension pipes and anvils with the micrometer head.
- Carbide measuring faces are available.
- The sleeve is rotated to adjust the index line position when setting to a length standard.
- An inside length standard is required for accurately setting the micrometer.
- Order No. 339-101/301/302/102/303/304 features:
 - IP65 (water-proof) protection level that enables use in the presence of cutting fluid.
 - A large-character LCD display.
 - Storage of 2 preset values for use when setting to an inside length standard.
 - A function lock that prevents accidental changing of the reference setting during measurement.
 - An output port for measurement data that enables inclusion in a statistical process control or networked measurement system. Refer to page A-3 for details.
 - Ability to use Interface Input Tools that enable conversion of measurement data to keyboard signals that are then directly input to cells in off-the-shelf spreadsheet software such as Excel. Refer to page A-5 for details.



339-301



139-177



140-158

SPECIFICATIONS

Metric						
Order No.	Range	Resolution	Micrometer head stroke	Extension pipes		Display unit
				Qty	Size	
Digimatic (LCD)						
339-101	200 - 225mm	0.001mm	25mm	—	—	200 - 225mm
339-301	200 - 1000mm			5	25, 50, 100, 200, 400mm	
339-302	200 - 2000mm			8	25, 50, 100, 200 (2 pcs.), 400 (3 pcs.)mm	

Metric						
Order No.	Range	Graduation	Micrometer head stroke	Extension pipes		Main unit
				Qty	Size	
Analog						
139-173	100 - 500mm	0.01mm	25mm	4	25, 50, 100, 200mm	100 - 125mm
139-174	100 - 900mm			5	25, 50, 100, 200, 400mm	
139-175	100 - 1300mm			6	25, 50, 100, 200, 400mm (2 pcs.)	
139-176	100 - 1700mm			7	25, 50, 100, 200, 400mm (3 pcs.)	
139-177	100 - 2100mm			8	25, 50, 100, 200, 400mm (4 pcs.)	1000 - 1050mm
140-157	1000 - 2000mm			5	50, 100 (2 pcs.), 200, 500mm	
140-158	1000 - 3000mm			6	50, 100 (2 pcs.), 200, 500, 1000mm	
140-159	1000 - 4000mm			7	50, 100 (2 pcs.), 200, 500, 1000mm (2 pcs.)	
140-160	1000 - 5000mm	8	50, 100 (2 pcs.), 200, 500, 1000mm (3 pcs.)			

Inch/Metric						
Order No.	Range	Resolution	Micrometer head stroke	Extension pipes		Display unit
				Qty	Size	
Digimatic (LCD)						
339-102	8" - 9"	.0001"/0.001mm	1"	—	—	8" - 9"
339-303	8" - 40"			5	1", 2", 4", 8", 16"	
339-304	8" - 80"			8	1", 2", 4", 8", 16" (2 pcs.), 16" (3 pcs.)	

Inch						
Order No.	Range	Graduation	Micrometer head stroke	Extension pipes		Main unit
				Qty	Size	
Analog						
139-178	4" - 20"	.001"	1"	4	1", 2", 4", 8"	4" - 5"
139-179	4" - 36"			5	1", 2", 4", 8", 16"	
139-180	4" - 52"			6	1", 2", 4", 8", 16" (2 pcs.)	
139-181	4" - 68"			7	1", 2", 4", 8", 16" (3 pcs.)	
139-182	4" - 84"			8	1", 2", 4", 8", 16" (4 pcs.)	40" - 42"
140-161	40" - 80"			5	2", 4" (2 pcs.), 8", 20"	
140-162	40" - 120"			6	2", 4" (2 pcs.), 8", 20", 40"	
140-163	40" - 160"			7	2", 4" (2 pcs.), 8", 20", 40" (2 pcs.)	
140-164	40" - 200"			8	2", 4" (2 pcs.), 8", 20", 40" (3 pcs.)	



These marks indicate that a product has successfully passed IP65-level testing, which is carried out by the independent German certification organization TÜV Rheinland.



(Refer to page X for details.)

IP Codes

- Level 6: Dust-proof.
No ingress of dust allowed.
- Level 5: Protected against water jets.
Water projected in jets against the enclosure from any direction shall have no harmful effects.

Technical Data

- Accuracy
- 339 series**
±(3 + number of pipes + maximum measurement length/50)µm (fraction rounded up)
- 139 series**
±(3 + number of pipes + maximum measurement length/50)µm (fraction rounded up)
- 140 series**
±(7 + number of pipes + maximum measurement length/50)µm (fraction rounded up)
- Excluding quantizing error (only for Digimatic)



Functions

(for 339-101/301/302/102/303/304)

- Zero-setting
- Origin restoration
- Data hold
- Function lock
- Automatic power ON/OFF
- 2-point Preset
- Error alarm
- Data output

Battery and scale type

(for 339-101/301/302/102/303/304)

- SR44 (1 pc), **938882**, for initial operational checks (standard accessory)
- Battery life: Approx. 1.2 years under normal use
- Scale type: Electromagnetic induction-type rotary encoder

Optional accessories

- Refer to page A-21 for details
- Connecting cables with **IT/DP/MUX**, etc.
 - 1m: **05CZA662**
 - 2m: **05CZA663**
- USB Input Tool Direct (2m): 06ADV380B**
- Connecting cables for **U-WAVE-T**
 - For standard (160mm): **02AZD790B**
 - For foot switch: **02AZE140B**

Tubular Inside Micrometers SERIES 139 — Extension Pipe Type (main unit)

- Micrometer head for Extension Pipe Type inside micrometer.
- The sleeve is rotated to adjust the index line position when setting to a length standard
- Setting ring, CERA Inside Micro Checker, and Gauge Block accessory set are provided as a reference gage for datum adjustment (refer to page C-47, C-26, and E-17 - E20 for details).



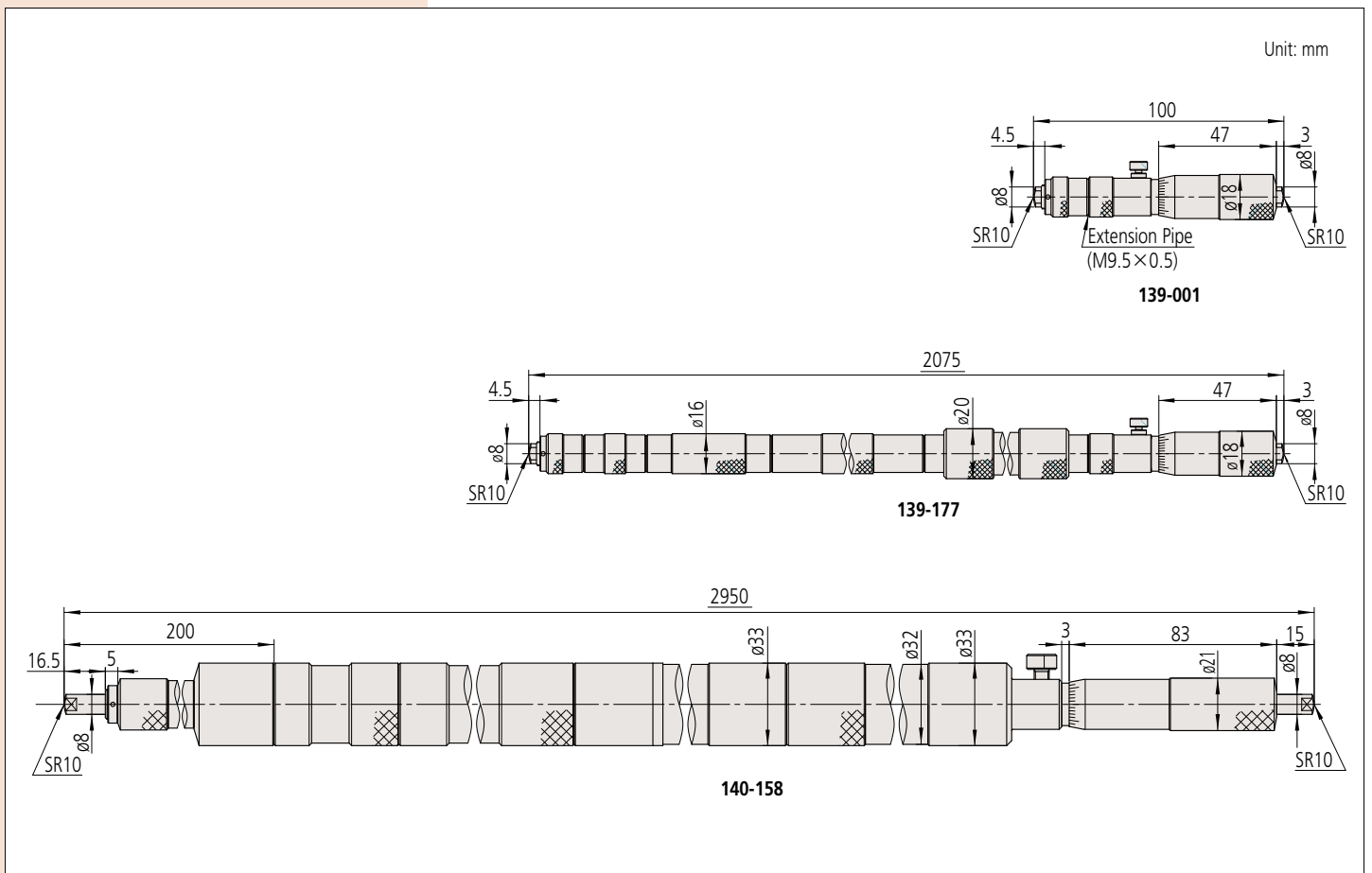
139-001

SPECIFICATIONS

Metric				
Order No.	Range	Graduation	Accuracy	Micrometer head stroke
139-001	100 - 125mm	0.01mm	±3μm	25mm

Inch				
Order No.	Range	Graduation	Accuracy	Micrometer head stroke
139-002	4" - 5"	.001"	±.00015"	1"

DIMENSIONS



Inside Micrometers

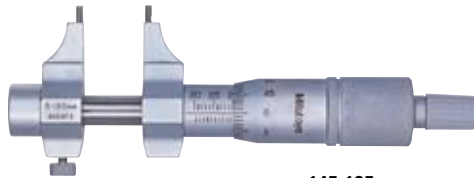
For easy and accurate measurement of inside diameters

Inside Micrometers SERIES 345, 145 — Caliper Type

- Carbide measuring faces.
- Equipped with a constant measuring-force device.
- Setting ring (nominal size below 300mm), CERA Inside Micro Checker (more than 50mm), and Gauge Block accessory set are provided as a reference gage for datum adjustment (refer to page C-47, C-26, and E-17 - E20 for details).



345-250-30



145-185



145-187

SPECIFICATIONS

Metric				
Order No.	Range	Resolution	Accuracy*	Mass
Digimatic (LCD)				
345-250-30	5 - 30mm	0.001mm	±5μm	320g
345-251-30	25 - 50mm		±6μm	325g

* Excluding quantizing error

Metric				
Order No.	Range	Graduation	Accuracy	Mass
Analog				
145-185	5 - 30mm	0.01mm	±5μm	130g
145-186	25 - 50mm		±6μm	140g
145-187	50 - 75mm		±7μm	160g
145-188	75 - 100mm		±8μm	180g
145-189	100 - 125mm		±9μm	210g
145-190	125 - 150mm			230g
145-191	150 - 175mm		±10μm	250g
145-192	175 - 200mm			270g
145-217	200 - 225mm		±11μm	310g
145-218	225 - 250mm			330g
145-219	250 - 275mm		±12μm	350g
145-220	275 - 300mm			370g

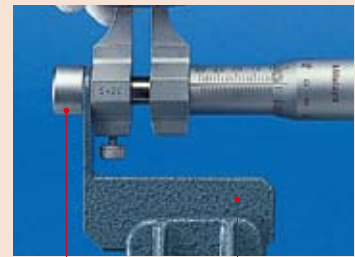
Inch/Metric				
Order No.	Range	Resolution	Accuracy*	Mass
Digimatic (LCD)				
345-350-30	.2" - 1.2"	.00005"/	±.00025"	320g
345-351-30	1" - 2"	0.001mm	±.0003"	325g

* Excluding quantizing error

Inch					
Order No.	Range	Graduation	Accuracy	Mass	
Analog					
145-193	.2" - 1.2"	.001"	±.00025"	130g	
145-194	1" - 2"		±.0003"	140g	
145-195	2" - 3"		±.00035"	160g	
145-196	3" - 4"			±.0004"	180g



Accessories for 145-185/186/193/194 (optional)



Cap (No.300401) Holder (No.300400)

* This instrument requires the cap and the holder for mounting on a micrometer stand.

Battery and scale type (for 345-250-30/251-30/350-30/351-30)

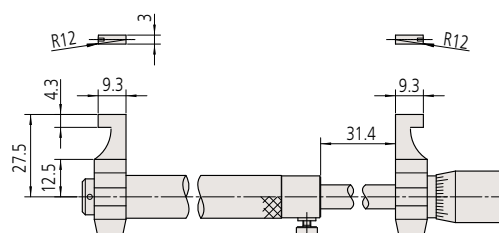
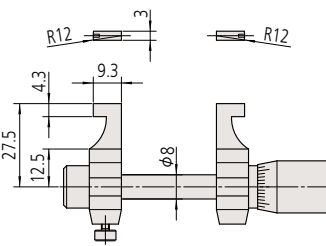
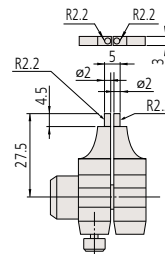
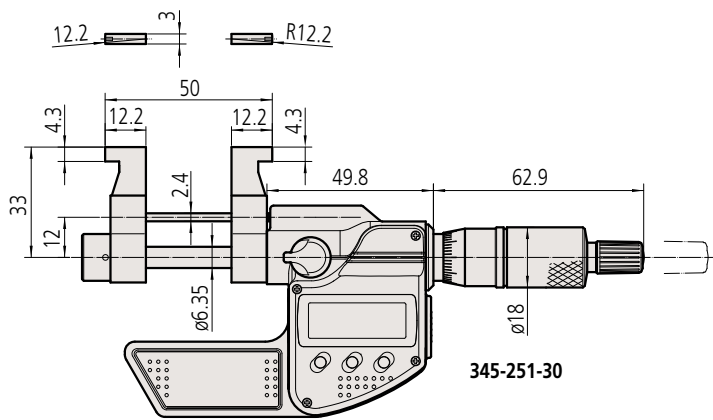
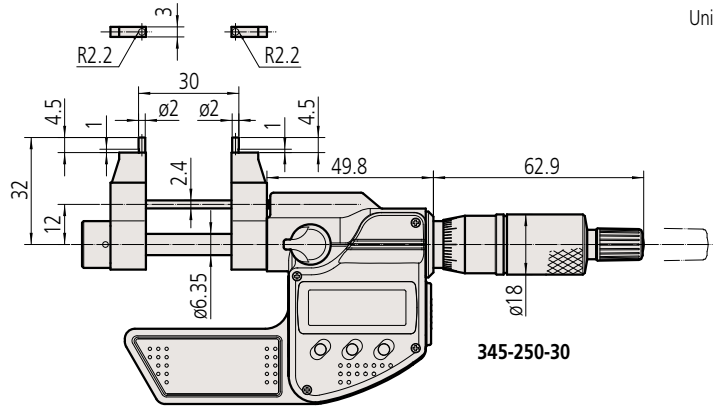
SR44 (1 pc), **938882**, for initial operational checks (standard accessory)
 Battery life: Approx. 2.4 years under normal use
 Scale type: Electromagnetic induction-type rotary encoder

Optional accessories

Refer to page A-21 for details
 Connecting cables for Input Tool/ Digimatic Mini-Processor, etc.
 1m: **05CZA662**
 2m: **05CZA663**
USB Input Tool Direct (2m): 06ADV380B
 Connecting cables for **U-WAVE-T**
 For standard (160mm): **02AZD790B**
 For foot switch: **02AZE140B**

DIMENSIONS

Unit: mm



Inside Micrometers

For easy and accurate measurement of inside diameters

Inside Micrometers SERIES 141 — Interchangeable Rod Type

- Wide range of inside diameter measurements possible by combining one or more interchangeable rods.
- Each interchangeable rod is marked with its measuring range.
- For models supplied with more than one interchangeable rod, the full measuring range is achieved by combining spacing collars with the rods.
- Both micrometer head and rods are satin-chrome finished throughout.
- The sleeve is rotated to adjust the index line position when setting to a length standard.
- Setting ring (nominal size below 300mm), CERA Inside Micro Checker, and Gauge Block accessory set are provided as a reference gage for datum adjustment (refer to page C-47, C-26, and E-17 - E20 for details).



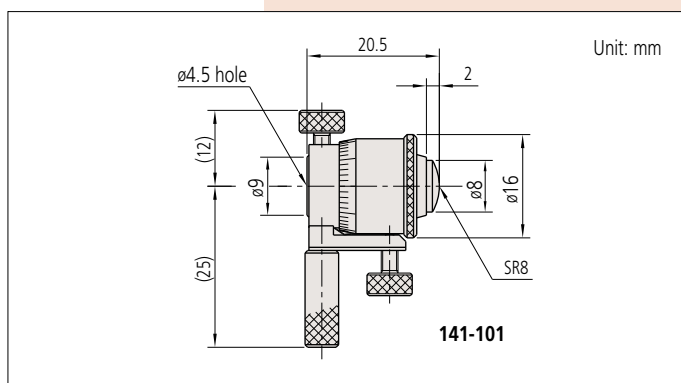
141-101
When using one of the extension rods supplied
(Measuring range 25 to 32mm)

Technical Data

Accuracy
 $\pm(6+\text{maximum measurement length}/50)\mu\text{m}$
(fraction rounded up)



DIMENSIONS



SPECIFICATIONS

Metric

Order No.	Range	Graduation	Micrometer head stroke	Remarks
141-001 / 141-003*	25 - 32mm	0.01mm	7mm	—
141-101 / 141-103*	25 - 50mm			with 2 rods
141-025 / 141-027*	50 - 63mm		13mm	—
141-205 / 141-211*	50 - 200mm			with 3 rods
141-206 / 141-212*	50 - 300mm			with 5 rods
141-009 / 141-011*	200 - 225mm		25mm	—
141-117	200 - 500mm			with 3 rods
141-118	200 - 1000mm			with 8 rods

* with carbide measuring face

Inch

Order No.	Range	Graduation	Micrometer head stroke	Remarks
141-002 / 141-004*	1" - 1.25"	.001"	.25"	—
141-102 / 141-104*	1" - 2"			with 2 rods
141-026 / 141-028*	2" - 2.5"		.5"	—
141-208 / 141-214*	2" - 8"			with 3 rods
141-233 / 141-215*	2" - 12"			with 5 rods
141-010 / 141-012*	8" - 9"		1"	—
141-121	8" - 20"			with 3 rods
141-122	8" - 40"			with 8 rods

* with carbide measuring face



An inspection certificate is supplied as standard. Refer to page X for details.

Application

– The two auxiliary gauge blocks are held against the appropriate measuring blocks by the support clamps, which also provide accurate location for the inside micrometer by means of the V-grooved extensions.

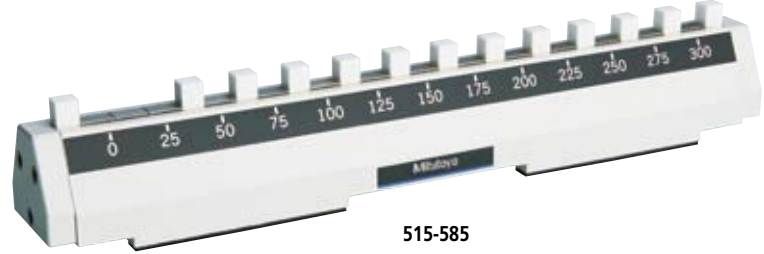


Optional accessories

- Wooden box
- For 515-585: 602160
- For 515-586: 602163

Inside Micro Checker SERIES 515

- The Inside Micro Checker is designed to act as a setting standard for inside micrometers.
- Each measuring block is made of zirconia-based ceramic and it is free from deterioration and dimensional changes over time.



515-585



- Standard accessory set
- Support clamps **940286*** Pair
 - Auxiliary block 10mm **602195** 2pcs.
 - Collar **600324** 1pc.
 - Clamp screwdriver **600324** 1pc.
- * Order No. is equivalent to a pair (2pcs.)

SPECIFICATIONS

Order No.	Length to check	Block pitch accuracy
515-585	25-300mm	$\pm(1+L/150) \mu\text{m}$ L: Length to check (mm)
515-586	25-600mm	

Please note that the bottom surface and the contact faces are not perpendicular to each other.

DIMENSIONS

